

CONTENTS

01

CONTENTS

02~15

D-Sub Standard Connector

16~31

D-sub High current Connector

32~36

Waterproof Combo D-SUB CONNECTORS

37~48

D-sub Backshell

2018. 11



D-Sub Series connectors

1. Application range:

This specification included D-sub product function, testing and quality needs

2. Relevant files

Please regard product picture as the standard when specification is not conform to the drawing, and regard the specification as standard when it isn't conform to relevant files

3. Requirements

3.1 Design&structure

3.1.1 Material&surface dealing

Contacts:Brass C5191 Plating:Nickel, gold plated contacts, tin plated solder cup

Housing:Fireproof PBT High temperature resistance PA9T Halogenless LCP

Nuts:Brass Plating;Nickel

Shell:SPCC Plating:Nickel

3.2 Electric function

3.2.1 Current Rating:1.5A AC/DC

3.2.2 Current Voltage:40V AC/DC

3.2.3 Contacts resistance:30m Ω Max.

3.2.4 Insulation resistance:1000M Ω Min.

3.2.5 Withstand Voltage: 500V AC

3.3 Other technical specifications

3.3.1 Temperature range:-20 $^{\circ}$ C~+85 $^{\circ}$ C (Include temperature increasing caused by operation)

3.4 Function requirements&Test descriptionsProducts must conform to the requirements listed in the sheet 1, all test should be done at room temperature if no special notes

4. Testing requirements&Operations

Table 1

Surface&dimension			
P/N	Test contents	Test method	Requirements
4.1	Surface	Vision(under 60W day lights, vision distance30CM	Without mechanical damage, oxidize, distortion
4.2	Assembly&surface size	Projector or tool microscope measurement	Conform to the drawing
Mechanical function			
4.3	Contact resistance	Place the inserted product tested at a voltage of 20mV and Current Rating in a 10mA open circuit	30mΩ Max.
4.4	Insulation resistance	Apply 500±50V AC to test between adjacent terminals	1000MΩ Min.
4.5	Withstand voltage	Apply 500±50V AC about 1 min between adjacent terminals	No discharge, breakdown
4.6	Push power	It can match male and female at 25±3mm per minute	Less than 4.5kgf
4.7	Pull power	Pull out the male at 25±3mm per minute	Greater than 0.45kgf
4.8	Solderability	1. Test with a 1.5mm range of terminal heads: 2. Tin temperature: 260±5° C Dipping time: 5±0.5 seconds	1. More than 95% of the tin area 2. No pinholes and leaking tin stains
4.9	Salt Spray	Test time: 24 hours Saline concentration: 5±1% Temperature: 35±2° C	Contact resistance 30 mΩ Max. Appearance oxidation rust

D-SUB Shell Size

D-SUB CONNECTOR	HIGH DENSITY D-SUB CONNECTOR	SHELL SIZE
9 Positions	15 Positions	E
15 Positions	26 Positions	A
25 Positions	44 Positions	B
37 Positions	62 Positions	C
50 Positions	78 Positions	D

D-SUB Shell Printed Circuits Board Hole Patterns

9 Positions 	25 Positions
15 Positions 	37 Positions
50 Positions 	

High Density D-Sub Straight DIP Solder Printed Circuits Board Hole Patterns

	Plug	Receptacle
15 Positions		
26 Positions		
44 Positions		
62 Positions		

High Density D-Sub Right Angle DIP Solder Printed Circuits Board Hole Patterns

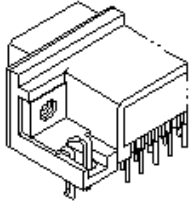
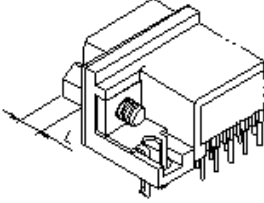
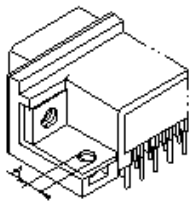
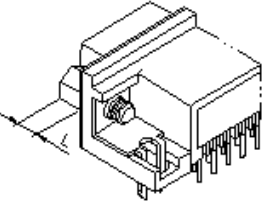
	Plug	Receptacle
15 Positions		
26 Positions		
44 Positions		
62 Positions		

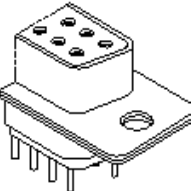
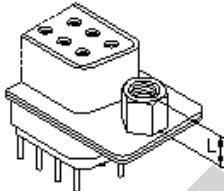
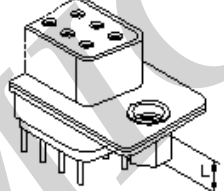
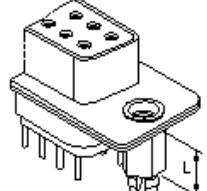
D-Sub Accessories

<p>P/N:Hexagonal screw 4.75*9.6mm</p>	<p>P/N:Hexagonal screw 4.75*11.8mm</p>
<p>P/N:Hexagonal screw 4.75*11.8mm</p>	<p>P/N:Hexagonal screw 4.75*15mm</p>
<p>P/N:Computer screw 4*37mm</p>	
<p>P/N:Computer screw 4*42mm</p>	
<p>P/N:Computer screw 4*47mm</p>	

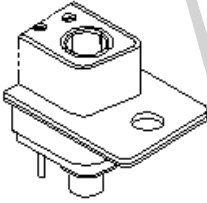
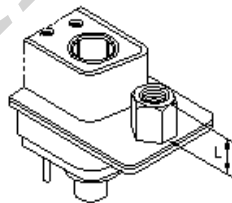
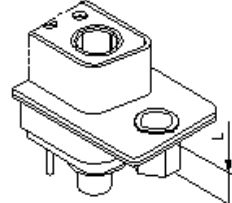
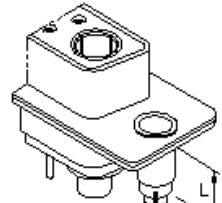
D-Sub Mounting Options

D-Sub Standard linker riveting screws

Code	F0	Code	G0	Code	I0	Code	J0
		DIM. L= 4.8mm		ϕ A= 3.2mm		DIM. L= 4.8mm	

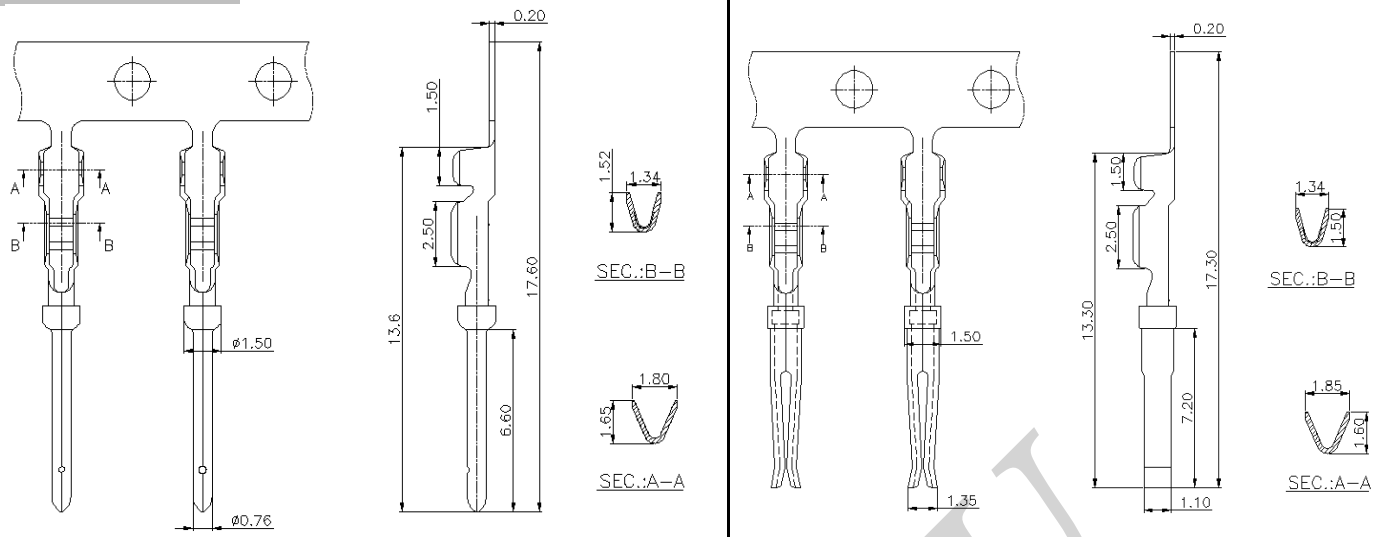
Code	O0	Code	B0	Code	C0	Code	D0
		DIM. L= 4.0mm		DIM. L= 4.0mm		DIM. L= 6.0mm	

D-sub High current Connector Standard linker riveting screws

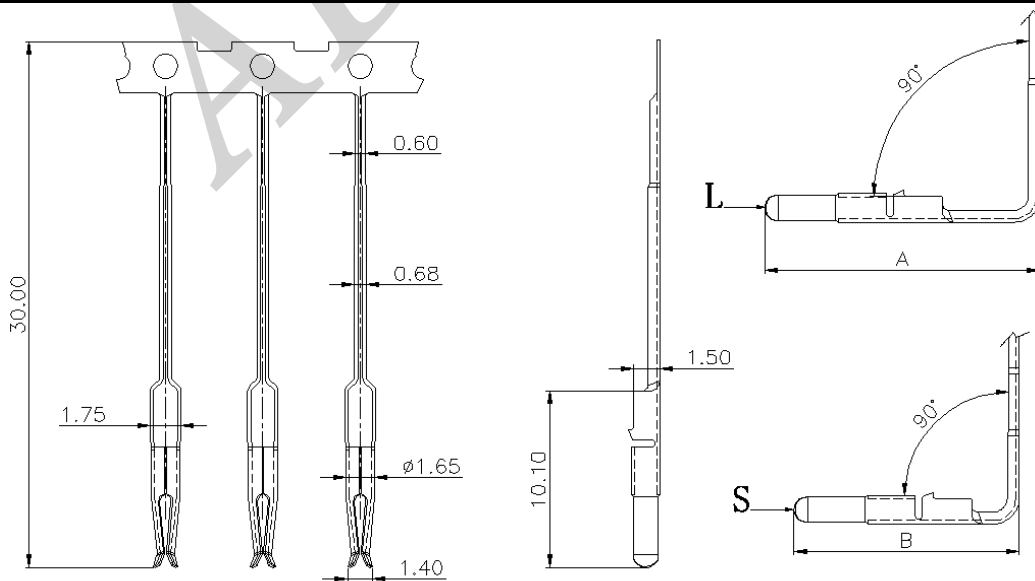
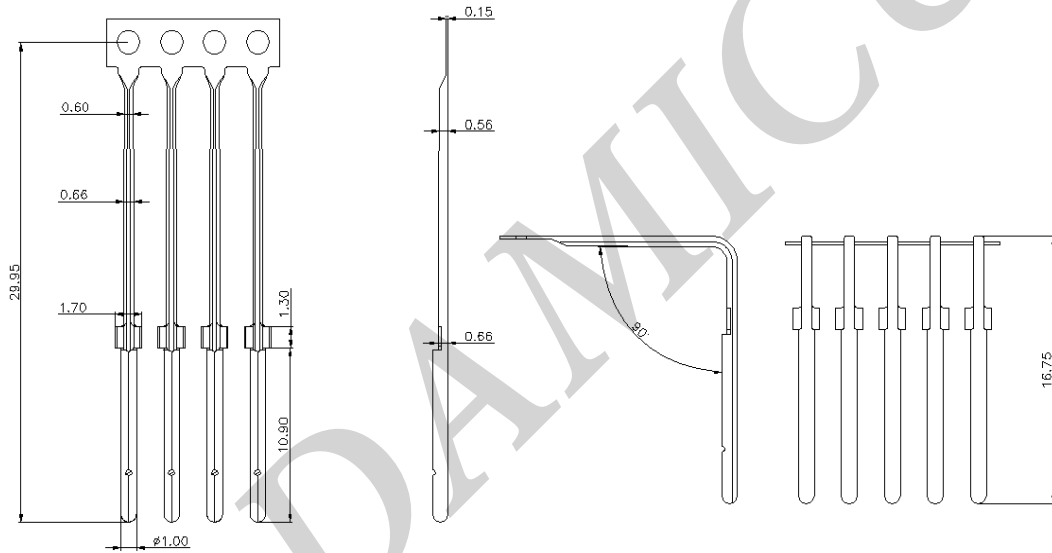
Code	000	Code	B00	Code	C00	Code	D00
		DIM. L= 4.0mm		DIM. L= 4.0mm		DIM. L= 7.0mm	

Key dimensions of D-SUB terminals

#1



#2



折弯示意图

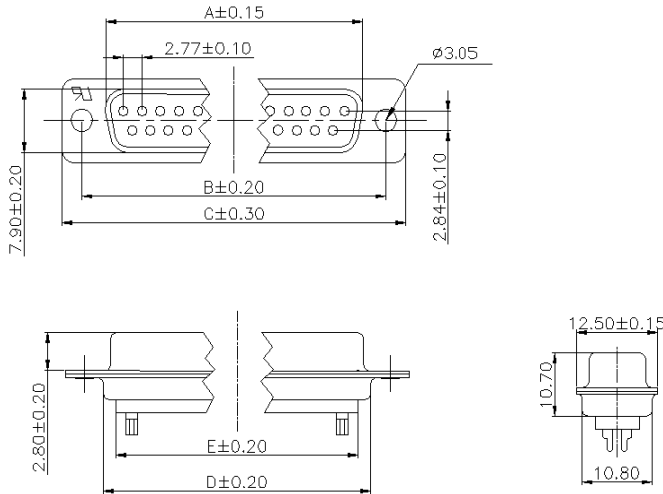
POS	A
L	15.60
S	12.75

D-Sub Standard Connector

- &. Core color can be worked out
- &. Iron plating specifications can be worked out
- &. Riveted Hex nuts options available
- &. Products meet ROHS standards and 3C certification



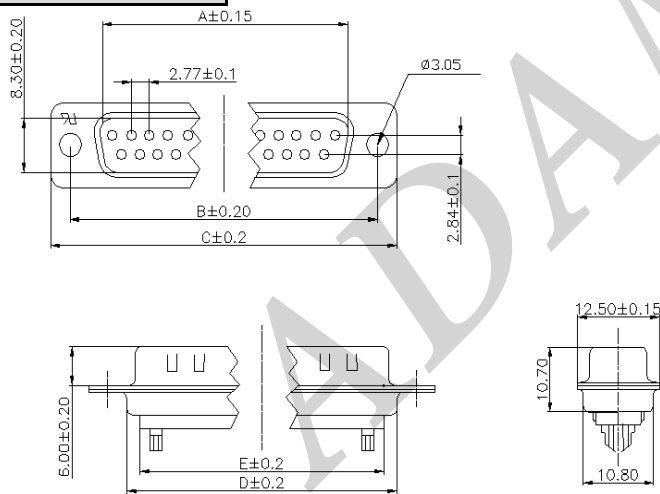
P/N Master size



Plug Connector

POS	A	B	C	D	E
9	16.33	24.99	30.81	19.28	15.60
15	24.66	33.32	39.14	27.65	24.30
25	38.32	47.05	53.10	41.03	37.99
37	54.84	63.50	69.32	57.44	54.50

P/N Seat size



Plug Connector

POS	A	B	C	D	E
9	16.92	24.99	30.81	19.28	15.60
15	25.25	33.32	39.14	27.65	24.60
25	38.96	47.04	53.04	41.30	38.00
37	55.42	63.50	69.32	57.44	54.50

① ② ③ ④ ⑤ ⑥ ⑦ ⑧
DB 09 M T 01 0 1 0

① Series No

② Terminal pin number:
09, 15, 25, 26, 37, 44, 50, 62, 78

③ Male parent type:
M(male) F(female)

④ Terminal type:
T(Traditional) S(Simple) C(Crimp) M(Machine pin)

⑤ Terminal electroplating:

00(All tin);01(Semi gold);03(Gold-plated 3U);
05(Semi gold 5U);12(Gold-plated 2U);15(15U)

⑥ Configuration option:

⑦ Color of rubber core:

0(black);1(wathet);2(blue);3(yellow);4(Navy Blue)
5(green);6(gules)

⑧ Other

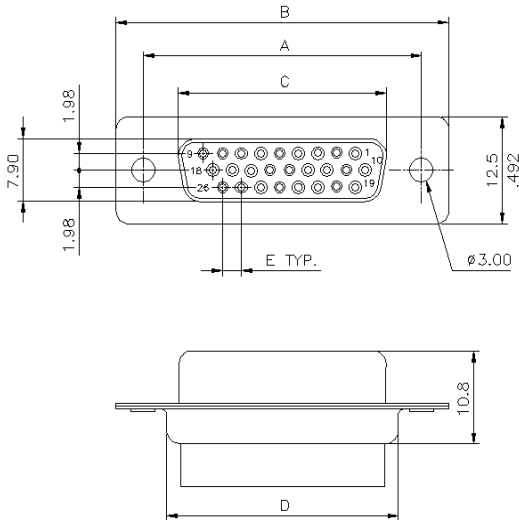
0(Salt fog for 12 hours);12(Salt fog for 48 hours)

D-Sub Crimp Connector

- &. Core color can be worked out
- &. Iron plating specifications can be worked out
- &. Riveted Hex nuts options available
- &. Products meet ROHS standards and 3C certification



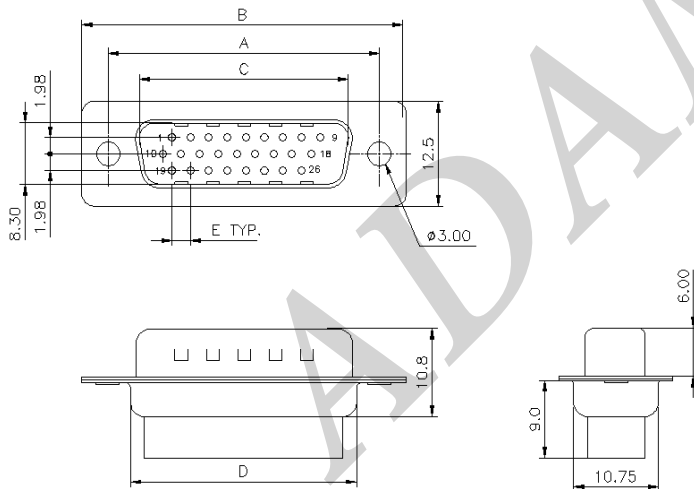
P/N Master size



Plug Connector

POS	A	B	C	D	E
15	25.00	30.80	16.30	19.20	2.29
26	33.32	39.20	24.60	27.70	2.29
44	47.04	53.10	38.30	41.10	2.29
62	63.50	69.40	54.80	57.30	2.41

P/N Seat size



Plug Connector

POS	A	B	C	D	E
15	25.00	30.80	16.92	19.20	2.29
26	33.32	39.20	25.25	27.70	2.29
44	47.04	53.10	38.96	41.10	2.29
62	63.50	69.40	55.42	57.30	2.41

① 189 ② 09 ③ M ④ C ⑤ 01 ⑥ 0 ⑦ 1 ⑧ 0

① Series No

② Terminal pin number:
09, 15, 25, 26, 37, 44, 50, 62, 78

③ Male parent type:
M(male) F(female)

④ Terminal type:
T(Traditional) S(Simple) C(Crimp) M(Machine pin)

⑤ Terminal electroplating:

00(All tin);01(Semi gold);03(Gold-plated 3U);
05(Semi gold 5U);12(Gold-plated 2U);15(15U)

⑥ Configuration option:

⑦ Color of rubber core:

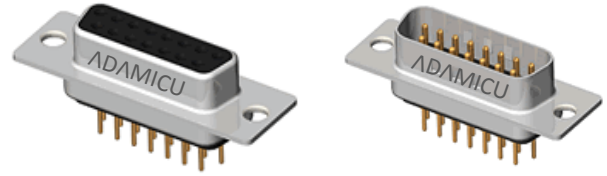
0(black);1(wathet);2(blue);3(yellow);4(Navy Blue)
5(green);6(gules)

⑧ Other

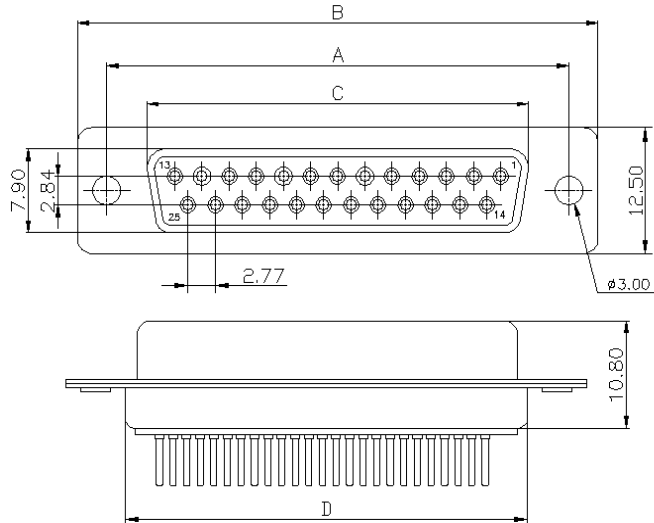
0(Salt fog for 12 hours);12(Salt fog for 48 hours)

D-Sub Machined Pin Connector

- &. Core color can be worked out
- &. Iron plating specifications can be worked out
- &. Riveted Hex nuts options available
- &. Products meet ROHS standards and 3C certification



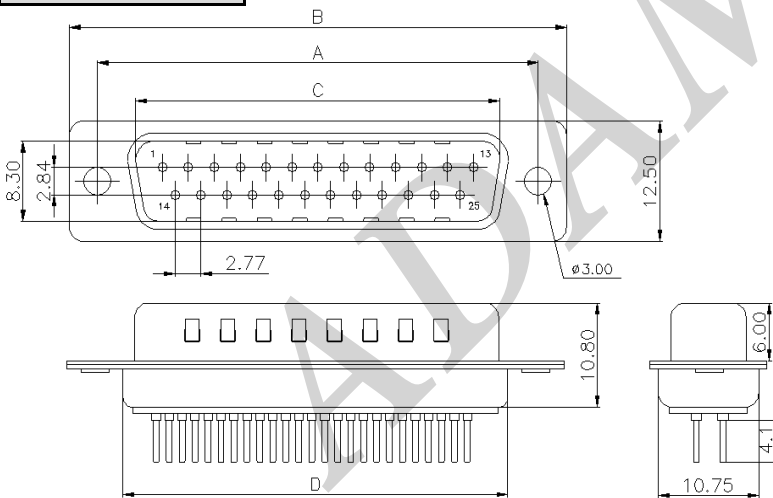
P/N Master size



Plug Connector

POS	A	B	C	D
9	25.00	30.80	16.30	19.20
15	33.32	39.20	24.60	27.70
25	47.04	53.10	38.30	41.10
37	63.50	69.40	54.80	57.30

P/N Seat size



Plug Connector

POS	A	B	C	D
9	25.00	30.80	16.92	19.20
15	33.32	39.20	25.25	27.70
25	47.04	53.10	38.96	41.10
37	63.50	69.40	55.42	57.30

① ② ③ ④ ⑤ ⑥ ⑦ ⑧
 HD 09 M T 01 0 1 0

① Series No

② Terminal pin number:
 09, 15, 25, 26, 37, 44, 50, 62, 78

③ Male parent type:
 M(male) F(female)

④ Terminal type:
 T(Traditional) S(Simple) C(Crimp) M(Machine pin)

⑤ Terminal electroplating:

00(All tin);01(Semi gold);03(Gold-plated 3U);
 05(Semi gold 5U);12(Gold-plated 2U);15(15U)

⑥ Configuration option:

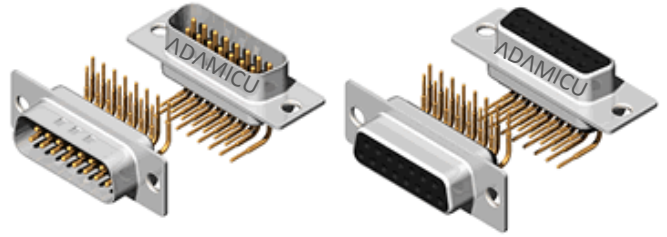
⑦ Color of rubber core:
 0(black);1(wathet);2(blue);3(yellow);4(Navy Blue)
 5(green);6(gules)

⑧ Other

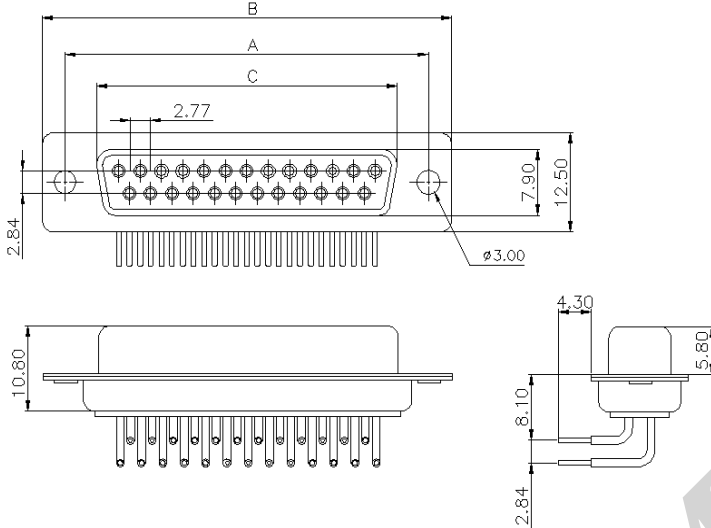
0(Salt fog for 12 hours);12(Salt fog for 48 hours)

D-Sub Machined Pin Connector

- &. Core color can be worked out
- &. Iron plating specifications can be worked out
- &. Riveted Hex nuts options available
- &. Products meet ROHS standards and 3C certification



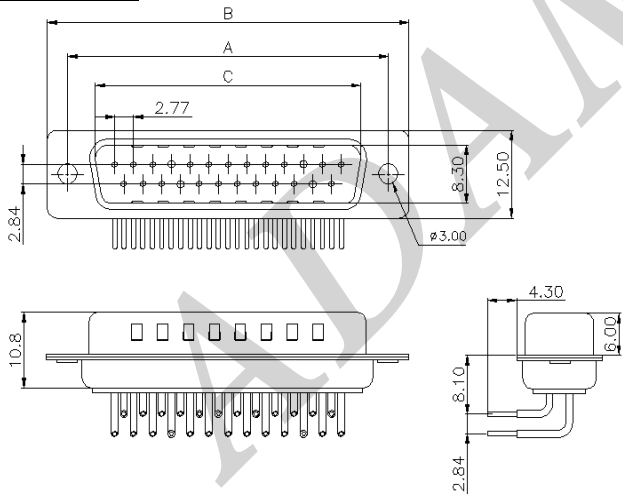
P/N Master size



Plug Connector

POS	A	B	C
9	25.00	30.80	16.30
15	33.32	39.20	24.60
25	47.04	53.10	38.30
37	63.50	69.40	54.80

P/N Seat size



Plug Connector

POS	A	B	C
9	25.00	30.80	16.92
15	33.32	39.20	25.25
25	47.04	53.10	38.96
37	63.50	69.40	55.42

① ② ③ ④ ⑤ ⑥ ⑦ ⑧
181 09 M T 01 0 1 0

① Series No

② Terminal pin number:
09, 15, 25, 26, 37, 44, 50, 62, 78

③ Male parent type:
M(male) F(female)

④ Terminal type:
T(Traditional) S(Simple) C(Crimp) M(Machine pin)

⑤ Terminal electroplating:

00(All tin);01(Semi gold);03(Gold-plated 3U);
05(Semi gold 5U);12(Gold-plated 2U);15(15U)

⑥ Configuration option:

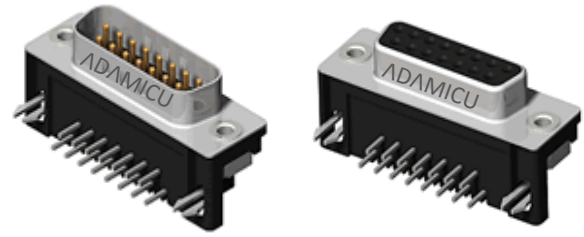
⑦ Color of rubber core:
0(black);1(wathet);2(blue);3(yellow);4(Navy Blue)
5(green);6(gules)

⑧ Other

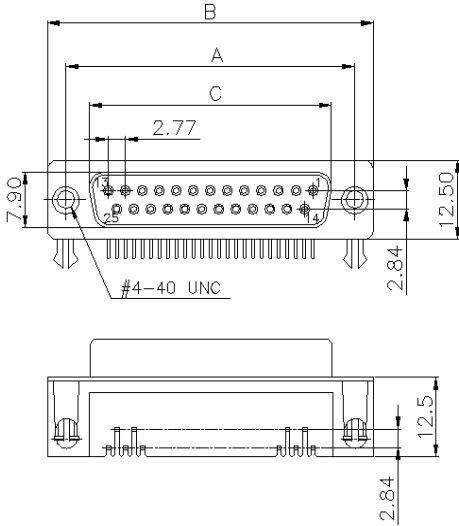
0(Salt fog for 12 hours);12(Salt fog for 48 hours)

D-Sub High Density Connector

- &. Core color can be worked out
- &. Iron plating specifications can be worked out
- &. Riveted Hex nuts options available
- &. Products meet ROHS standards and 3C certification



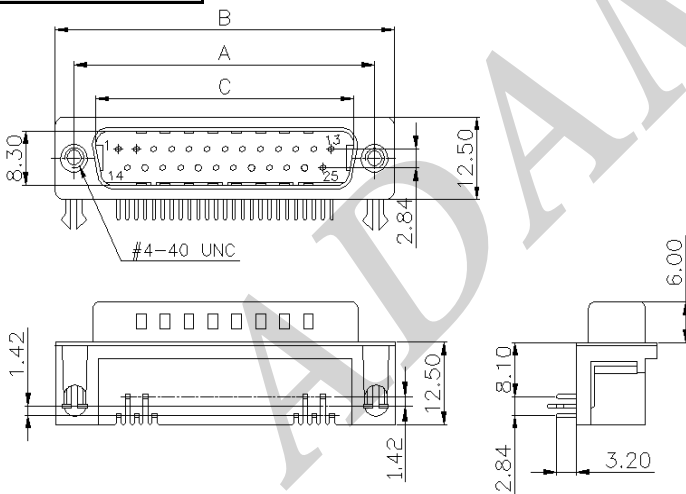
P/N Master size



Plug Connector

POS	A	B	C
9	25.00	30.80	16.30
15	33.32	39.20	24.60
25	47.04	53.10	38.30
37	63.50	69.40	54.80

P/N Seat size



Plug Connector

POS	A	B	C
9	25.00	30.80	16.92
15	33.32	39.20	25.25
25	47.04	53.10	38.96
37	63.50	69.40	55.42

① ② ③ ④ ⑤ ⑥ ⑦ ⑧
 HDR 09 M T 01 0 1 0

① Series No

② Terminal pin number:
 09, 15, 25, 26, 37, 44, 50, 62, 78

③ Male parent type:
 M(male) F(female)

④ Terminal type:
 T(Traditional) S(Simple) C(Crimp) M(Machine pin)

⑤ Terminal electroplating:

00(All tin);01(Semi gold);03(Gold-plated 3U);
 05(Semi gold 5U);12(Gold-plated 2U);15(15U)

⑥ Configuration option:

⑦ Color of rubber core:

0(black);1(wathet);2(blue);3(yellow);4(Navy Blue)
 5(green);6(gules)

⑧ Other

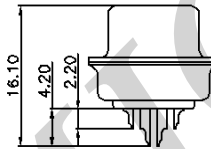
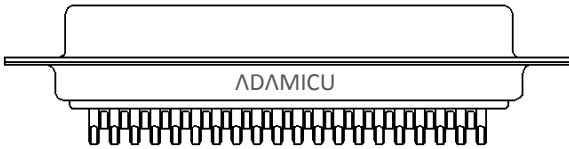
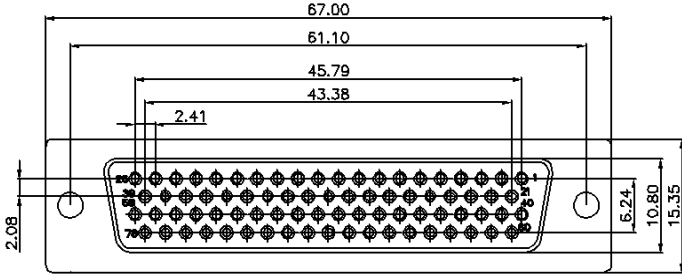
0(Salt fog for 12 hours);12(Salt fog for 48 hours)

D-Sub Crimp Connector

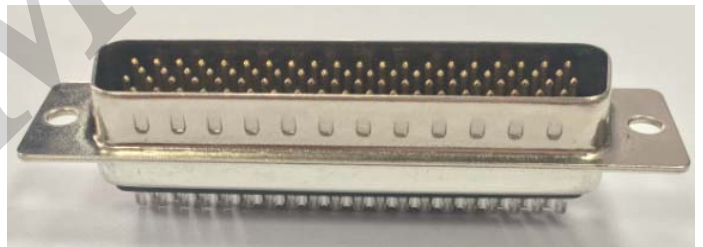
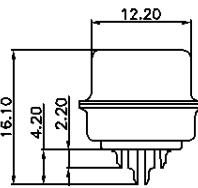
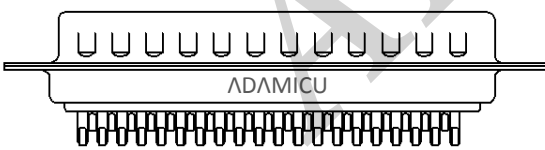
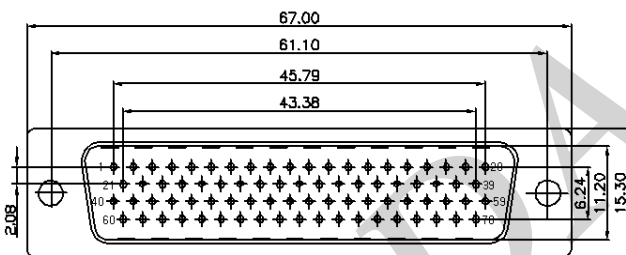
- &. Core color can be worked out
- &. Iron plating specifications can be worked out
- &. Riveted Hex nuts options available
- &. Products meet ROHS standards and 3C certification



P/N Master size



P/N Seat size



① ② ③ ④ ⑤ ⑥ ⑦ ⑧
189 78 M C 01 0 1 0

① Series No

② Terminal pin number:
09, 15, 25, 26, 37, 44, 50, 62, 78

③ Male parent type:
M(male) F(female)

④ Terminal type:
T(Traditional) S(Simple) C(Crimp) M(Machine pin)

⑤ Terminal electroplating:

00(All tin);01(Semi gold);03(Gold-plated 3U);
05(Semi gold 5U);12(Gold-plated 2U);15(15U)

⑥ Configuration option:

⑦ Color of rubber core:

0(black);1(wathet);2(blue);3(yellow);4(Navy Blue)
5(green);6(gules)

⑧ Other

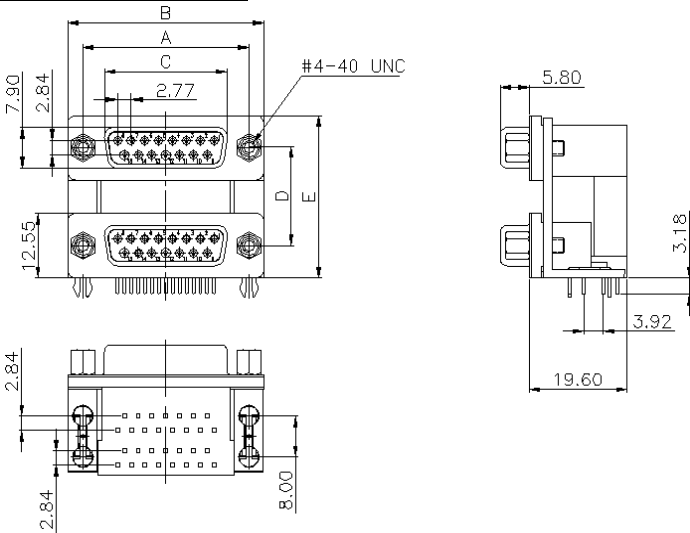
0(Salt fog for 12 hours);12(Salt fog for 48 hours)

D-sub Dual Port Connector

- &. Core color can be worked out
- &. Iron plating specifications can be worked out
- &. Riveted Hex nuts options available
- &. Products meet ROHS standards and 3C certification



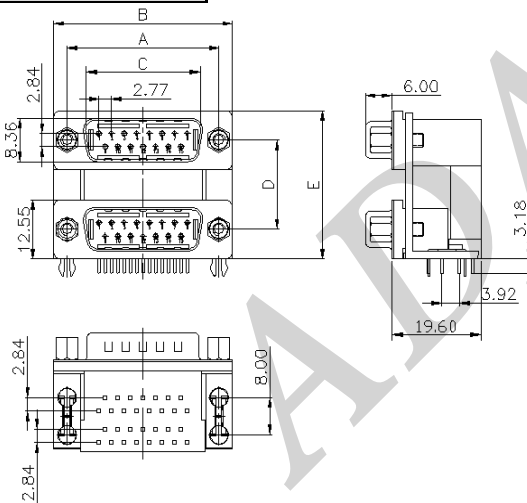
P/N Master size



Plug Connector

POS	A	B	C	D	E
15 TO 15	33.32	39.14	24.66	15.88	28.43
25 TO 25	47.04	53.04	38.30	15.88	28.43

P/N Seat size



Plug Connector

POS	A	B	C	D	E
15 TO 15	33.32	39.14	25.25	15.88	28.43
25 TO 25	47.04	53.04	38.96	15.88	28.43

① ② ③ ④ ⑤ ⑥ ⑦ ⑧
DR 15 M T 01 0 1 0

① Series No

② Terminal pin number:
09, 15, 25, 26, 37, 44, 50, 62, 78

③ Male parent type:
M(male) F(female)

④ Terminal type:
T(Traditional) S(Simple) C(Crimp) M(Machine pin)

⑤ Terminal electroplating:

00(All tin);01(Semi gold);03(Gold-plated 3U);
05(Semi gold 5U);12(Gold-plated 2U);15(15U)

⑥ Configuration option:

⑦ Color of rubber core:
0(black);1(wathet);2(blue);3(yellow);4(Navy Blue)
5(green);6(gules)

⑧ Other

0(Salt fog for 12 hours);12(Salt fog for 48 hours)

D-sub High current Connector

1. Application range:

This specification included D-sub product function, testing and quality needs

2. Relevant files

Please regard product picture as the standard when specification is not conform to the drawing, and regard the specification as standard when it isn't conform to relevant files

3. Requirements

3.1 Design&structure

3.1.1 Material&surface dealing

Contacts:Brass C5191 Plating:Nickel, gold plated contacts, tin plated solder cup

Housing:Fireproof PBT High temperature resistance PA9T Halogenless LCP

Nuts:Brass Plating;Nickel

Shell:SPCC Plating:Nickel

3.2 Electric function

3.2.1 Current Rating:30A AC/DC

3.2.2 Current Voltage:300V AC/DC

3.2.3 Contacts resistance: $\leq 2 \text{ m}\Omega$

3.2.4 Insulation resistance: $\geq 5000 \text{ M}\Omega$

3.2.5 Withstand Voltage: 1000V AC

3.3 Other technical specifications

3.3.1 Temperature range: $-55^{\circ}\text{C} \sim +125^{\circ}\text{C}$ (Include temperature increasing caused by operation)

Contact Arrangements

&. Accommodated removable Coaxial and high power contacts

&. The product indicated “●” Not available at present

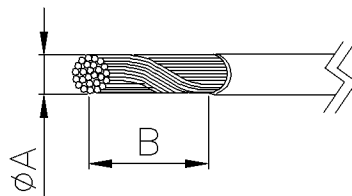
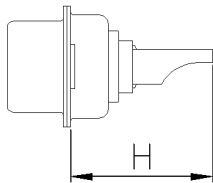
Contact Arrangements	5W1	3W3	7W2
Shell Size	E	A	A
No. of signal Contacts	4	0	5
No. of Coaxial Contacts	1	3	2
Contact Arrangements	11W1	5W5	9W4
Shell Size	A	B	B
No. of signal Contacts	10	0	5
No. of Coaxial Contacts	1	5	4
Contact Arrangements	13W3	17W2	21W1
Shell Size	B	B	B
No. of signal Contacts	10	15	20
No. of Coaxial Contacts	3	2	1
Contact Arrangements	8W8	13W6	17W5
Shell Size	C	C	C
No. of signal Contacts	0	7	12
No. of Coaxial Contacts	8	6	5
Contact Arrangements	21W4	25W3	27W2
Shell Size	C	C	C
No. of signal Contacts	17	22	25
No. of Coaxial Contacts	4	3	2
Contact Arrangements	24W7	36W4	43W2
Shell Size	D	D	D
No. of signal Contacts	17	32	41
No. of Coaxial Contacts	7	4	2

High Power Contact for COmbination D-Sub

Contact Type	Shape	Part No	Plating	Current Rating	R. G Cable
Solder Cup	<p>Plug Contact</p>	CXLTPS	Gold flash plated over 50µin Nickel	75 Ω	179B/U
		CXLTPS	15µin Gold plated over 50µin Nickel		
		CXLTPS	30µin Gold plated over 50µin Nickel		
		CXLTPS	50µin Gold plated over 50µin Nickel		
		CXLTSS	Gold flash plated over 50µin Nickel	50 Ω	178B/U
		CXLTSS	15µin Gold plated over 50µin Nickel		
	<p>Receptacle Contact</p>	CXLTSS	30µin Gold plated over 50µin Nickel		
		CXLTSS	50µin Gold plated over 50µin Nickel		
		CXLTSS	Gold flash plated over 50µin Nickel	75 Ω	179B/U
		CXLTSS	15µin Gold plated over 50µin Nickel		
		CXLTSS	30µin Gold plated over 50µin Nickel		
		CXLTSS	50µin Gold plated over 50µin Nickel		
Staight DIP	<p>Plug Contact</p>	CXLTTPV	Gold flash plated over 50µin Nickel	75 Ω	—
		CXLTTPV	15µin Gold plated over 50µin Nickel		
		CXLTTPV	30µin Gold plated over 50µin Nickel		
		CXLTTPV	50µin Gold plated over 50µin Nickel		
		CXLTTPV	Gold flash plated over 50µin Nickel	50 Ω	—
		CXLTTPV	15µin Gold plated over 50µin Nickel		
	<p>Receptacle Contact</p>	CXLTTPV	30µin Gold plated over 50µin Nickel		
		CXLTTPV	50µin Gold plated over 50µin Nickel		
		CXLTTSV	Gold flash plated over 50µin Nickel	75 Ω	—
		CXLTTSV	15µin Gold plated over 50µin Nickel		
		CXLTTSV	30µin Gold plated over 50µin Nickel		
		CXLTTSV	50µin Gold plated over 50µin Nickel		
Right Angle DIP	<p>Receptacle Contact</p>	CXLTTPH	Gold flash plated over 50µin Nickel	75 Ω	—
		CXLTTPH	15µin Gold plated over 50µin Nickel		
		CXLTTPH	30µin Gold plated over 50µin Nickel		
		CXLTTPH	50µin Gold plated over 50µin Nickel		
		CXLTTPH	Gold flash plated over 50µin Nickel	50 Ω	—
		CXLTTPH	15µin Gold plated over 50µin Nickel		
	<p>Receptacle Contact</p>	CXLTTPH	30µin Gold plated over 50µin Nickel		
		CXLTTPH	50µin Gold plated over 50µin Nickel		
		CXLTSH	Gold flash plated over 50µin Nickel	75 Ω	—
		CXLTSH	15µin Gold plated over 50µin Nickel		
		CXLTSH	30µin Gold plated over 50µin Nickel		
		CXLTSH	50µin Gold plated over 50µin Nickel		
		CXLTSH	Gold flash plated over 50µin Nickel	50 Ω	—
		CXLTSH	15µin Gold plated over 50µin Nickel		
		CXLTSH	30µin Gold plated over 50µin Nickel		
		CXLTSH	50µin Gold plated over 50µin Nickel		

High Power Contact for COmbination D-Sub

Contact Type	Shape	Part No	Plating	Current Rating	Wire Size
Solder Cup	<p>Plug Contact</p>	CHPTPS22000	Gold flash plated over 50μin Nickel	20A	AWG #12~#14
		CHPTPS32000	15μin Gold plated over 50μin Nickel		
		CHPTPS42000	30μin Gold plated over 50μin Nickel		
		CHPTPS52000	50μin Gold plated over 50μin Nickel		
		CHPTPS24000	Gold flash plated over 50μin Nickel		
		CHPTPS34000	15μin Gold plated over 50μin Nickel		
		CHPTPS44000	30μin Gold plated over 50μin Nickel		
	<p>Receptacle Contact</p>	CHPTSS22000	Gold flash plated over 50μin Nickel	20A	AWG #12~#14
		CHPTSS32000	15μin Gold plated over 50μin Nickel		
		CHPTSS42000	30μin Gold plated over 50μin Nickel		
		CHPTSS52000	50μin Gold plated over 50μin Nickel		
		CHPTSS24000	Gold flash plated over 50μin Nickel		
		CHPTSS34000	15μin Gold plated over 50μin Nickel		
		CHPTSS44000	30μin Gold plated over 50μin Nickel		
Crimp TYPE	<p>Plug Contact</p>	CHPTPC22000	Gold flash plated over 50μin Nickel	20A	AWG #12~#14
		CHPTPC32000	15μin Gold plated over 50μin Nickel		
		CHPTPC42000	30μin Gold plated over 50μin Nickel		
		CHPTPC52000	50μin Gold plated over 50μin Nickel		
		CHPTPC24000	Gold flash plated over 50μin Nickel		
		CHPTPC34000	15μin Gold plated over 50μin Nickel		
		CHPTPC44000	30μin Gold plated over 50μin Nickel		
	<p>Receptacle Contact</p>	CHPTSC22000	Gold flash plated over 50μin Nickel	20A	AWG #12~#14
		CHPTSC32000	15μin Gold plated over 50μin Nickel		
		CHPTSC42000	30μin Gold plated over 50μin Nickel		
		CHPTSC52000	50μin Gold plated over 50μin Nickel		
		CHPTSC24000	Gold flash plated over 50μin Nickel		
		CHPTSC34000	15μin Gold plated over 50μin Nickel		
		CHPTSC44000	30μin Gold plated over 50μin Nickel		
	CHPTSC54000	50μin Gold plated over 50μin Nickel	40A	AWG #8~#10	

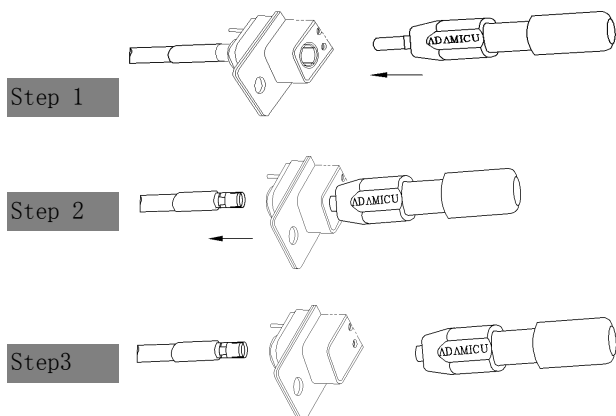
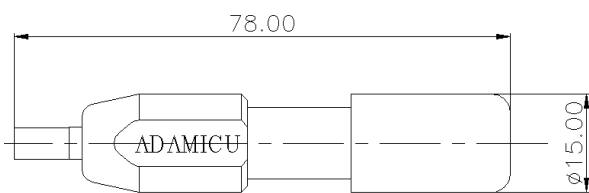


Current Rating	Crimp and Solder Terminations			
	DIM. ΦA min.	DIM. ΦA max.	DIM. B	DIM. H max.
20A	1.80	2.60	8.0~8.8	16.50
40A	2.90	4.50		

High Power Contact for COmbination D-Sub

Contact Type	Shape	Part No	Plating	Current Rating	
Staight DIP	<p>Plug Contact</p>	CHPTPV22000	Gold flash plated over 50µin Nickel	20A	
		CHPTPV32000	15µin Gold plated over 50µin Nickel		
		CHPTPV42000	30µin Gold plated over 50µin Nickel		
		CHPTPV52000	50µin Gold plated over 50µin Nickel		
		CHPTPV24000	Gold flash plated over 50µin Nickel		
		CHPTPV34000	15µin Gold plated over 50µin Nickel		
		CHPTPV44000	30µin Gold plated over 50µin Nickel		
	CHPTPV54000	50µin Gold plated over 50µin Nickel	40A		
	<p>Receptacle Contact</p>	CHPTSV22000		Gold flash plated over 50µin Nickel	20A
		CHPTSV32000		15µin Gold plated over 50µin Nickel	
		CHPTSV42000		30µin Gold plated over 50µin Nickel	
		CHPTSV52000		50µin Gold plated over 50µin Nickel	
		CHPTSV24000		Gold flash plated over 50µin Nickel	
		CHPTSV34000		15µin Gold plated over 50µin Nickel	
CHPTSV44000		30µin Gold plated over 50µin Nickel			
CHPTSV54000	50µin Gold plated over 50µin Nickel	40A			
Right Angle DIP	<p>Plug Contact</p>		CHPTPH22000	Gold flash plated over 50µin Nickel	20A
			CHPTPH32000	15µin Gold plated over 50µin Nickel	
			CHPTPH42000	30µin Gold plated over 50µin Nickel	
			CHPTPH52000	50µin Gold plated over 50µin Nickel	
			CHPTPH24000	Gold flash plated over 50µin Nickel	
			CHPTPH34000	15µin Gold plated over 50µin Nickel	
		CHPTPH44000	30µin Gold plated over 50µin Nickel		
	CHPTPH54000	50µin Gold plated over 50µin Nickel	40A		
	<p>Receptacle Contact</p>	CHPTSH22000		Gold flash plated over 50µin Nickel	20A
		CHPTSH32000		15µin Gold plated over 50µin Nickel	
		CHPTSH42000		30µin Gold plated over 50µin Nickel	
		CHPTSH52000		50µin Gold plated over 50µin Nickel	
		CHPTSH24000		Gold flash plated over 50µin Nickel	
		CHPTSH34000		15µin Gold plated over 50µin Nickel	
CHPTSH44000		30µin Gold plated over 50µin Nickel			
CHPTSH54000	50µin Gold plated over 50µin Nickel	40A			

P/N:CD-RWT-0100



The COMBO D-SUB EXTRACTOR.

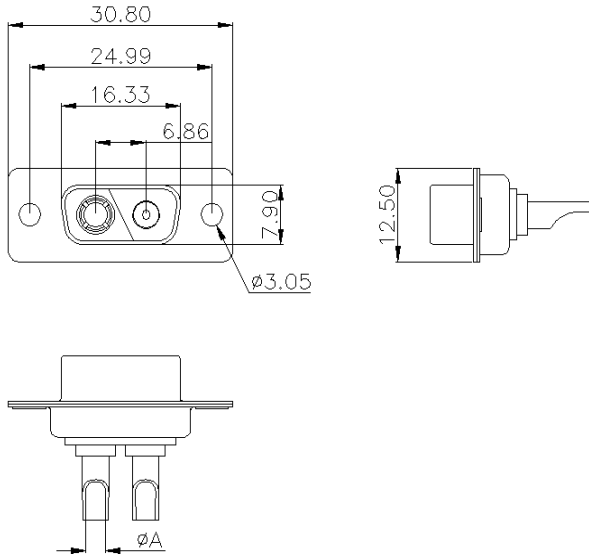
It is used in Coaxial or High power contact.
(available for male/female)

D-sub High current Connector

- &. Core color can be worked out
- &. Iron plating specifications can be worked out
- &. Riveted Hex nuts options available
- &. Products meet ROHS standards and 3C certification



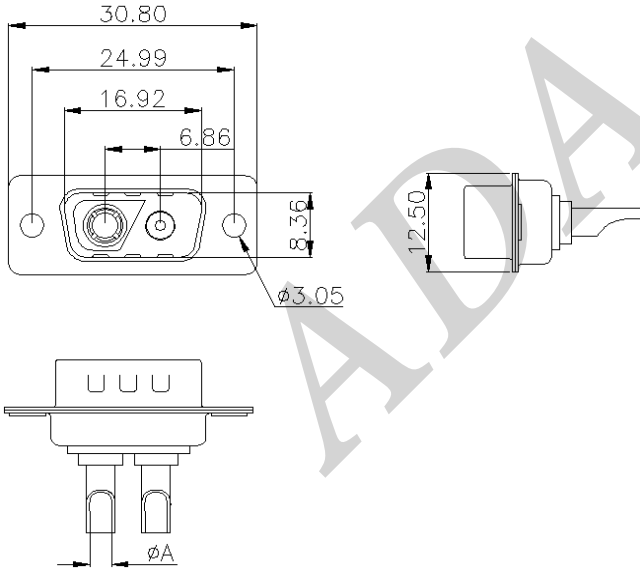
2V2 F



Plug Connector

NO	Current Rating	Dimension	Wire Size
		ΦA	
1	40 AMPS	4.80	AWG8-10
2	20 AMPS	2.80	AWG12-14
3	10 AMPS	1.70	AWG16-20

2V2 M



Plug Connector

NO	Current Rating	Dimension	Wire Size
		ΦA	
1	40 AMPS	4.80	AWG8-10
2	20 AMPS	2.80	AWG12-14
3	10 AMPS	1.70	AWG16-20

① 187 ② 2V2 ③ M ④ 3 ⑤ 03 ⑥ 0 ⑦ 0 ⑧ 0

- ① Series No
- ② Terminal pin number:
2V2 3V3 5W5 7W2 9W4 17W2 17W5
- ③ Male parent type:
M(male) F(female)
- ④ Terminal type:
T(Traditional) S(Simple) C(Crimp) M(Machine pin)

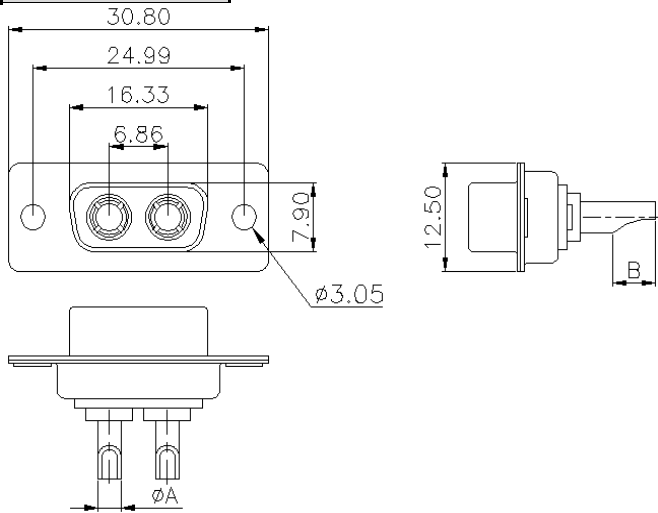
- ⑤ Terminal electroplating:
01(Full gold 1U);02(Full gold 2U);03(Full gold 3U)
05(Full gold 5U);15(Full gold 15U)
- ⑥ Configuration option:
- ⑦ Color of rubber core:
0(black);1(wathet);2(blue);3(yellow);4(green)
- ⑧ Other

D-sub High current Connector

- &. Core color can be worked out
- &. Iron plating specifications can be worked out
- &. Riveted Hex nuts options available
- &. Products meet ROHS standards and 3C certification



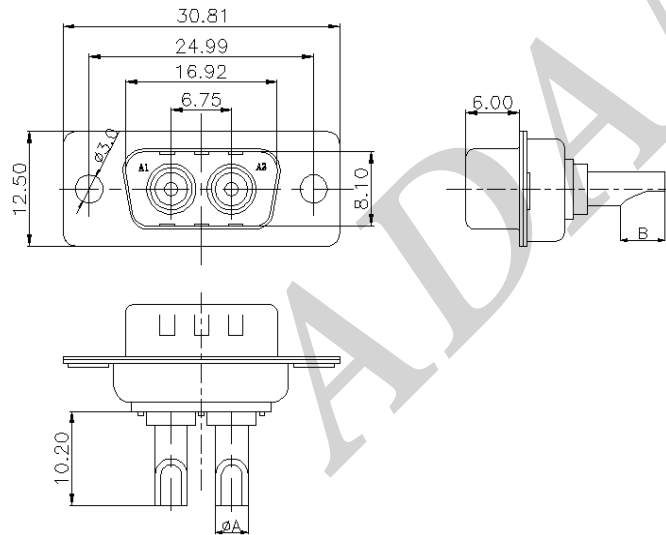
2W2 F



Plug Connector

POS	A	B	WIRE	CURRENT RATING (A)
1	2.50	4.50	14~16#	10
2	3.60	5.00	10~12#	20
3	4.40	5.50	8~10#	30
4	5.50	5.50	6~8#	40

2W2 M



Plug Connector

POS	A	B	WIRE	CURRENT RATING (A)
1	2.50	4.50	14~16#	10
2	3.60	5.00	10~12#	20
3	4.40	5.50	8~10#	30
4	5.50	5.50	6~8#	40

- ① 187 ② 2W2 ③ M ④ 3 ⑤ 03 ⑥ 0 ⑦ 0 ⑧ 0

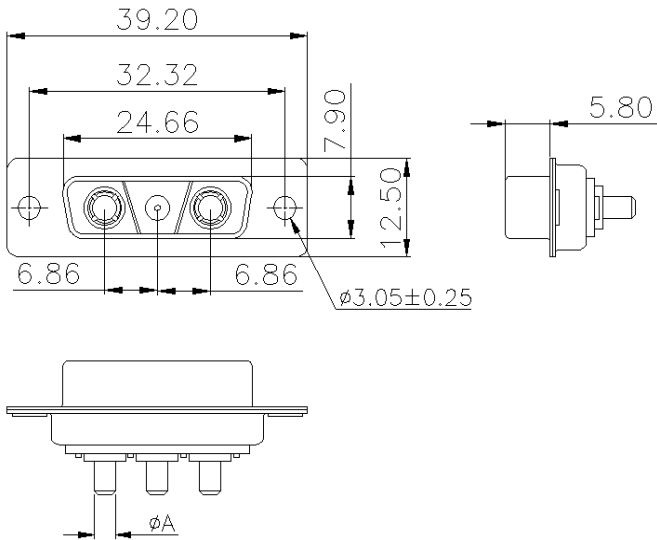
- ① Series No
- ② Terminal pin number:
2V2 2W2 3V3 5W5 7W2 9W4 17W2 17W5
- ③ Male parent type:
M(male) F(female)
- ④ Terminal type:
T(Traditional) S(Simple) C(Crimp) M(Machine pin)

- ⑤ Terminal electroplating:
01(Full gold 1U);02(Full gold 2U);03(Full gold 3U)
05(Full gold 5U);15(Full gold 15U)
- ⑥ Configuration option:
- ⑦ Color of rubber core:
0(black);1(wathet);2(blue);3(yellow);4(green)
- ⑧ Other

D-sub High current Connector

- &. Core color can be worked out
- &. Iron plating specifications can be worked out
- &. Riveted Hex nuts options available
- &. Products meet ROHS standards and 3C certification

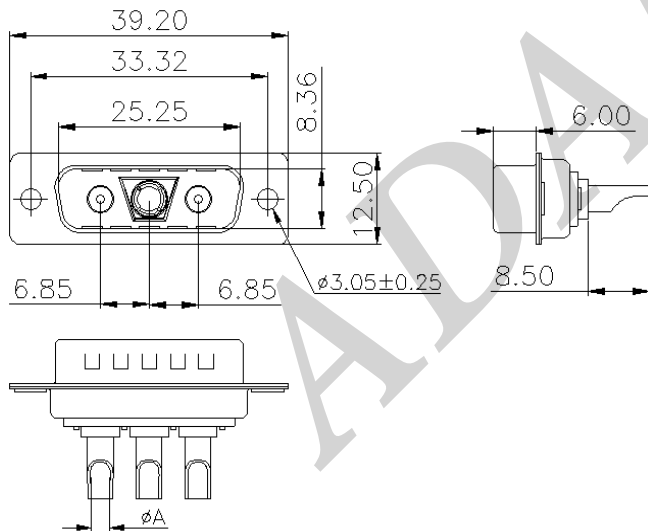
3V3 F



Plug Connector

NO	Current Rating	Dimension
		ΦA
1	40 AMPS	3.75
2	30 AMPS	3.20
3	20 AMPS	2.80
4	10 AMPS	1.70

3V3 M



Plug Connector

NO	Current Rating	Dimension	Wire Size
		ΦA	
1	40 AMPS	4.80	AWG8-10
2	20 AMPS	2.80	AWG12-14
3	10 AMPS	1.70	AWG10-12

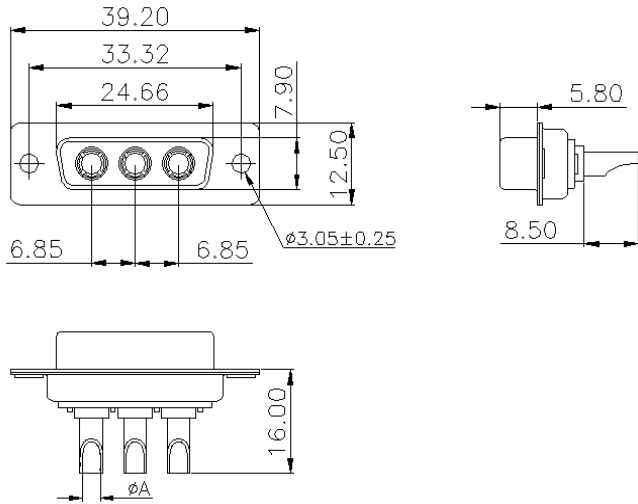
① 187 ② 3V3 ③ M ④ 3 ⑤ 03 ⑥ 0 ⑦ 0 ⑧ 0

- ① Series No
- ② Terminal pin number:
2V2 2W2 3V3 5W5 7W2 9W4 17W2 17W5
- ③ Male parent type:
M(male) F(female)
- ④ Terminal type:
T(Traditional) S(Simple) C(Crimp) M(Machine pin)
- ⑤ Terminal electroplating:
01(Full gold 1U);02(Full gold 2U);03(Full gold 3U)
05(Full gold 5U);15(Full gold 15U)
- ⑥ Configuration option:
- ⑦ Color of rubber core:
0(black);1(wathet);2(blue);3(yellow);4(green)
- ⑧ Other

D-sub High current Connector

- &. Core color can be worked out
- &. Iron plating specifications can be worked out
- &. Riveted Hex nuts options available
- &. Products meet ROHS standards and 3C certification

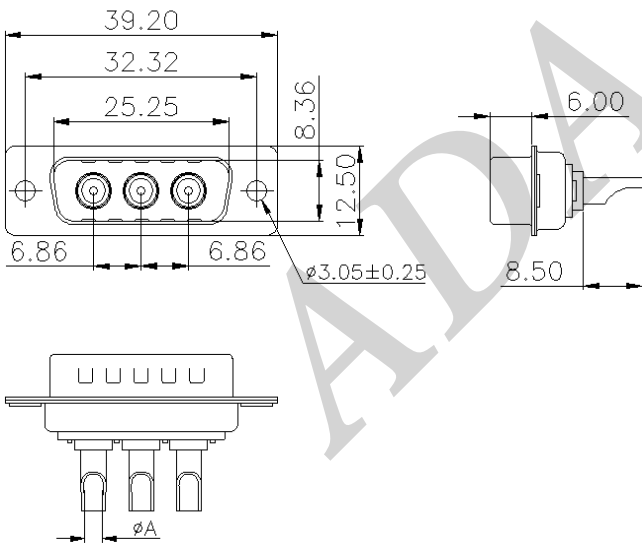
3W3 F



Plug Connector

NO	Current Rating	Dimension
		ΦA
1	40 AMPS	4.80
2	20 AMPS	2.70
3	10 AMPS	1.80

3W3 M



Plug Connector

NO	Current Rating	Dimension	Wire Size
		ΦA	
1	40 AMPS	4.80	AWG8-10
2	20 AMPS	2.70	AWG12-14
3	10 AMPS	1.80	AWG10-12

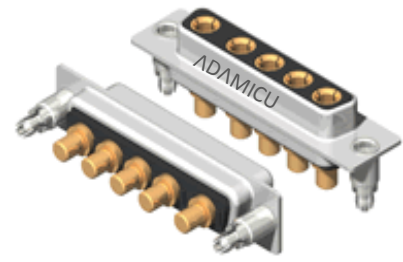
- ① 187
- ② 3W3
- ③ M
- ④ 3
- ⑤ 03
- ⑥ 0
- ⑦ 0
- ⑧ 0

- ① Series No
- ② Terminal pin number:
2V2 2W2 3V3 5W5 7W2 9W4 17W2 17W5
- ③ Male parent type:
M(male) F(female)
- ④ Terminal type:
T(Traditional) S(Simple) C(Crimp) M(Machine pin)

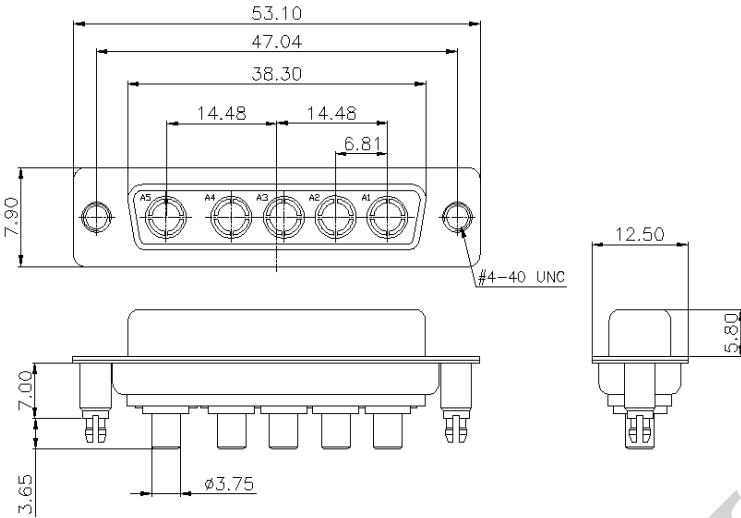
- ⑤ Terminal electroplating:
01(Full gold 1U);02(Full gold 2U);03(Full gold 3U)
05(Full gold 5U);15(Full gold 15U)
- ⑥ Configuration option:
- ⑦ Color of rubber core:
0(black);1(wathet);2(blue);3(yellow);4(green)
- ⑧ Other

D-sub High current Connector

- &. Core color can be worked out
- &. Iron plating specifications can be worked out
- &. Riveted Hex nuts options available
- &. Products meet ROHS standards and 3C certification



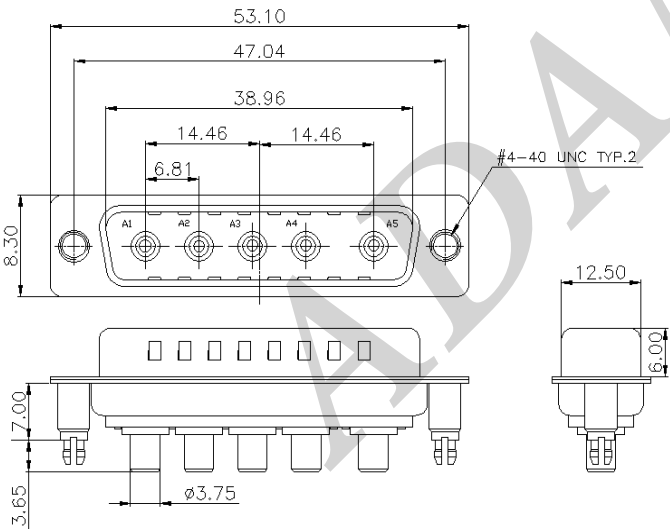
5W5 F



Plug Connector

NO	Current Rating	Dimension
		ΦA
1	40 AMPS	4.80
2	20 AMPS	2.70
3	10 AMPS	1.80

5W5 M



Plug Connector

NO	Current Rating	Dimension	Wire Size
		ΦA	
1	40 AMPS	4.80	AWG8-10
2	20 AMPS	2.70	AWG12-14
3	10 AMPS	1.80	AWG10-12

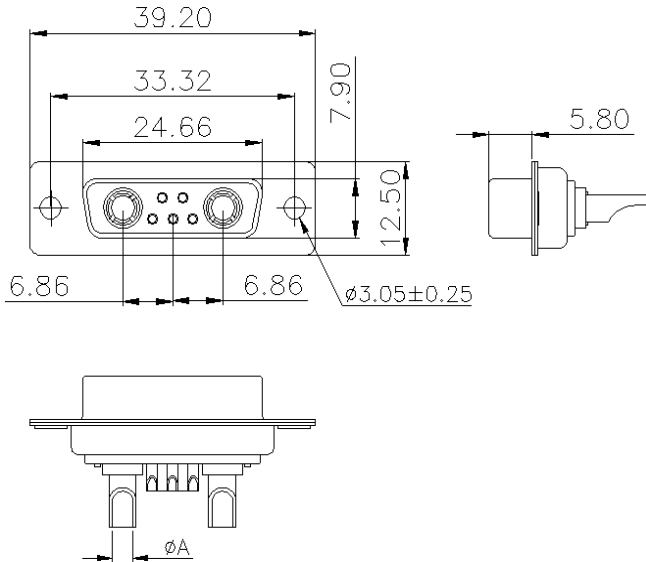
① 187 ② 5W5 ③ M ④ 3 ⑤ 03 ⑥ 0 ⑦ 0 ⑧ 0

- ① Series No
- ② Terminal pin number:
2V2 2W2 3V3 5W5 7W2 9W4 17W2 17W5
- ③ Male parent type:
M(male) F(female)
- ④ Terminal type:
T(Traditional) S(Simple) C(Crimp) M(Machine pin)
- ⑤ Terminal electroplating:
01(Full gold 1U);02(Full gold 2U);03(Full gold 3U)
05(Full gold 5U);15(Full gold 15U)
- ⑥ Configuration option:
- ⑦ Color of rubber core:
0(black);1(wathet);2(blue);3(yellow);4(green)
- ⑧ Other

D-sub High current Connector

- &. Core color can be worked out
- &. Iron plating specifications can be worked out
- &. Riveted Hex nuts options available
- &. Products meet ROHS standards and 3C certification

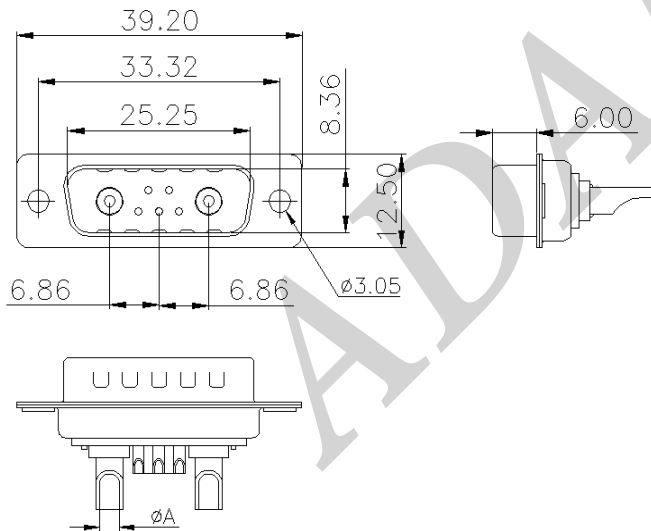
7W2 F



Plug Connector

NO	Current Rating	Dimension
		ΦA
1	40 AMPS	4.80
2	20 AMPS	2.70
3	10 AMPS	1.80

7W2 M



Plug Connector

NO	Current Rating	Dimension
		ΦA
1	40 AMPS	4.80
2	20 AMPS	2.70
3	10 AMPS	1.70

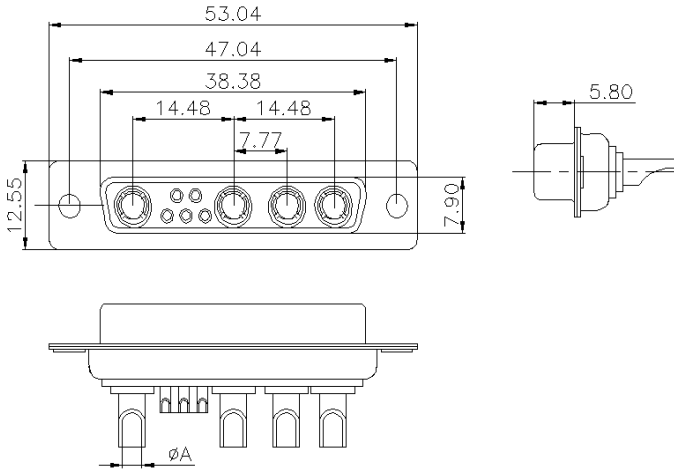
① 187 ② 7W2 ③ M ④ 3 ⑤ 03 ⑥ 0 ⑦ 0 ⑧ 0

- ① Series No
- ② Terminal pin number:
2V2 2W2 3V3 5W5 7W2 9W4 17W2 17W5
- ③ Male parent type:
M(male) F(female)
- ④ Terminal type:
T(Traditional) S(Simple) C(Crimp) M(Machine pin)
- ⑤ Terminal electroplating:
01(Full gold 1U);02(Full gold 2U);03(Full gold 3U)
05(Full gold 5U);15(Full gold 15U)
- ⑥ Configuration option:
- ⑦ Color of rubber core:
0(black);1(wathet);2(blue);3(yellow);4(green)
- ⑧ Other

D-sub High current Connector

- &. Core color can be worked out
- &. Iron plating specifications can be worked out
- &. Riveted Hex nuts options available
- &. Products meet ROHS standards and 3C certification

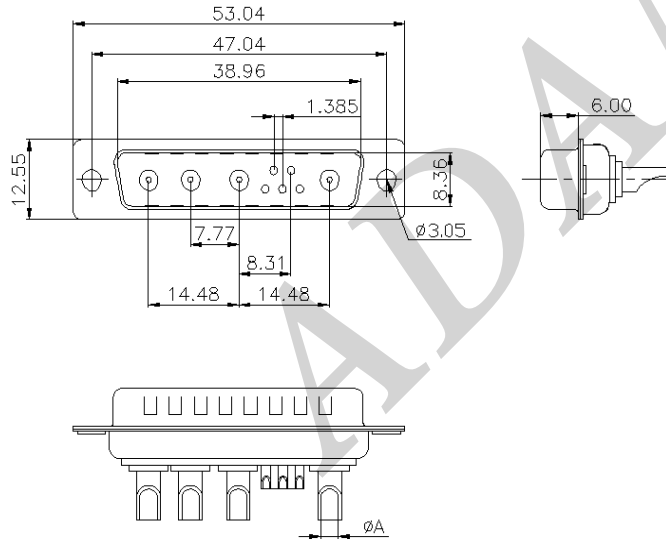
9W4 F



Plug Connector

NO	Current Rating	Dimension
		ΦA
1	40 AMPS	4.80
2	20 AMPS	2.70
3	10 AMPS	1.80

9W4 M



Plug Connector

NO	Current Rating	Dimension
		ΦA
1	40 AMPS	4.80
2	20 AMPS	2.70
3	10 AMPS	1.70

- ① 187
- ② 9W4
- ③ M
- ④ 3
- ⑤ 03
- ⑥ 0
- ⑦ 0
- ⑧ 0

① Series No

② Terminal pin number:

2V2 2W2 3V3 5W5 7W2 9W4 17W2 17W5

③ Male parent type:

M(male) F(female)

④ Terminal type:

T(Traditional) S(Simple) C(Crimp) M(Machine pin)

⑤ Terminal electroplating:

01(Full gold 1U);02(Full gold 2U);03(Full gold 3U)

05(Full gold 5U);15(Full gold 15U)

⑥ Configuration option:

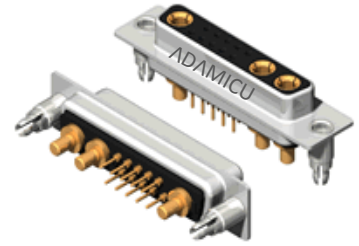
⑦ Color of rubber core:

0(black);1(wathet);2(blue);3(yellow);4(green)

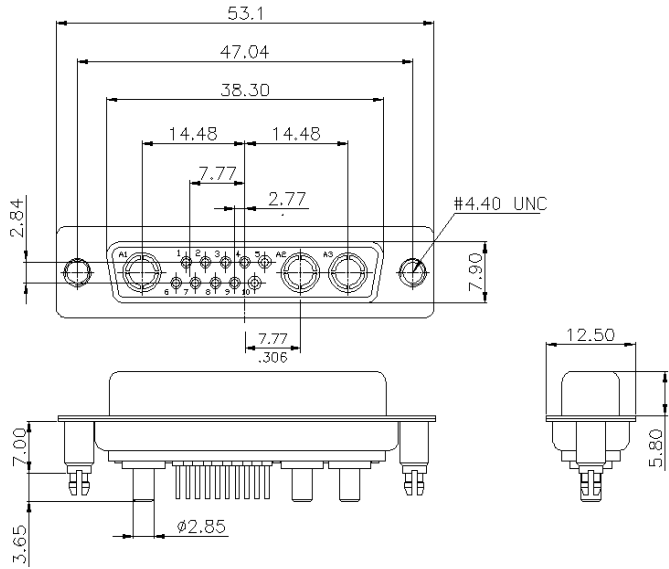
⑧ Other

D-sub High current Connector

- &. Core color can be worked out
- &. Iron plating specifications can be worked out
- &. Riveted Hex nuts options available
- &. Products meet ROHS standards and 3C certification



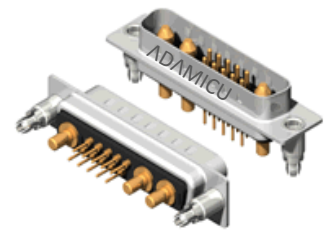
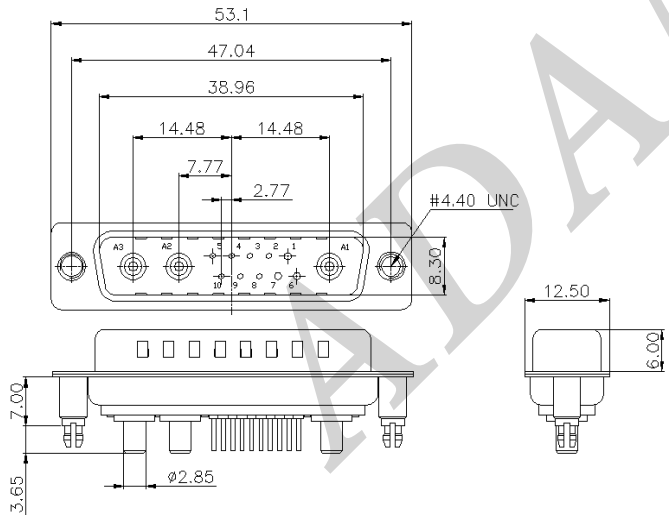
13W3 F



Plug Connector

NO	Current Rating	Dimension
		ΦA
1	40 AMPS	4.80
2	20 AMPS	2.70
3	10 AMPS	1.80

13W3 M



Plug Connector

NO	Current Rating	Dimension
		ΦA
1	40 AMPS	4.80
2	20 AMPS	2.70
3	10 AMPS	1.70

① 187 ② 13W3 ③ M ④ 3 ⑤ 03 ⑥ 0 ⑦ 0 ⑧ 0

① Series No

② Terminal pin number:

2V2 2W2 3V3 5W5 7W2 9W4 17W2 17W5

③ Male parent type:

M(male) F(female)

④ Terminal type:

T(Traditional) S(Simple) C(Crimp) M(Machine pin)

⑤ Terminal electroplating:

01(Full gold 1U);02(Full gold 2U);03(Full gold 3U)

05(Full gold 5U);15(Full gold 15U)

⑥ Configuration option:

⑦ Color of rubber core:

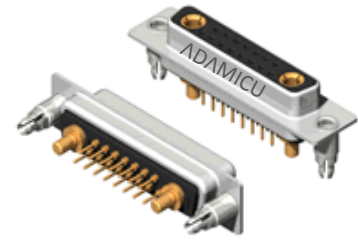
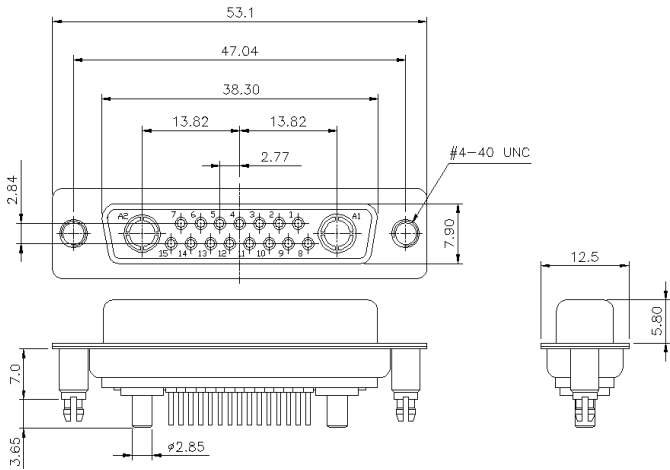
0(black);1(wathet);2(blue);3(yellow);4(green)

⑧ Other

D-sub High current Connector

- &. Core color can be worked out
- &. Iron plating specifications can be worked out
- &. Riveted Hex nuts options available
- &. Products meet ROHS standards and 3C certification

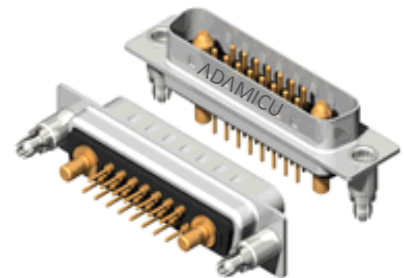
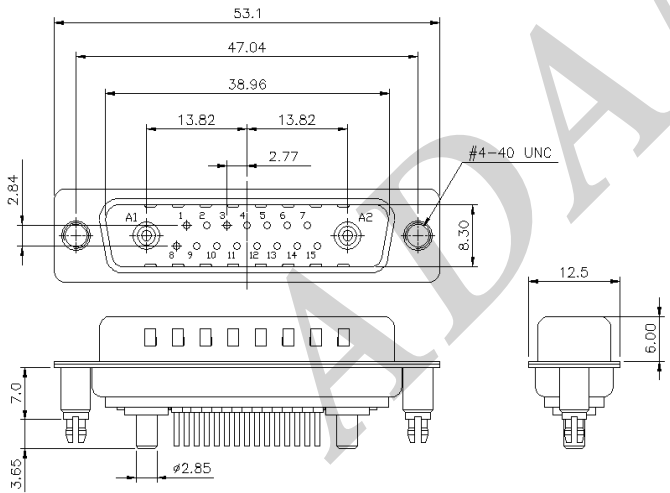
17W2 F



Plug Connector

NO	Current Rating	Dimension
		ΦA
1	40 AMPS	4.80
2	20 AMPS	2.70
3	10 AMPS	1.80

17W2 M



Plug Connector

NO	Current Rating	Dimension
		ΦA
1	40 AMPS	4.80
2	20 AMPS	2.70
3	10 AMPS	1.70

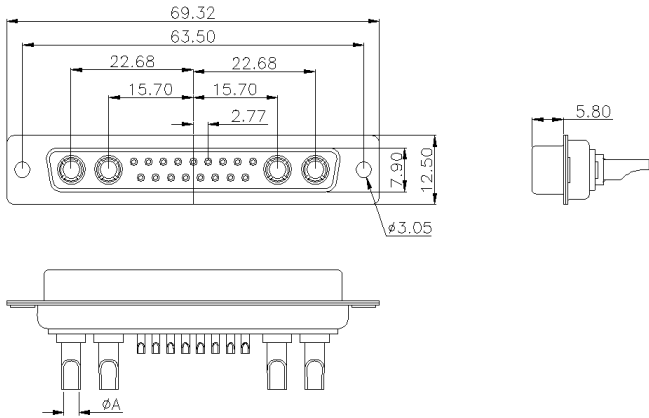
① 187 ② 17W2 ③ M ④ 3 ⑤ 03 ⑥ 0 ⑦ 0 ⑧ 0

- ① Series No
- ② Terminal pin number:
2V2 2W2 3V3 5W5 7W2 9W4 17W2 17W5
- ③ Male parent type:
M(male) F(female)
- ④ Terminal type:
T(Traditional) S(Simple) C(Crimp) M(Machine pin)
- ⑤ Terminal electroplating:
01(Full gold 1U);02(Full gold 2U);03(Full gold 3U)
05(Full gold 5U);15(Full gold 15U)
- ⑥ Configuration option:
- ⑦ Color of rubber core:
0(black);1(wathet);2(blue);3(yellow);4(green)
- ⑧ Other

D-sub High current Connector

- &. Core color can be worked out
- &. Iron plating specifications can be worked out
- &. Riveted Hex nuts options available
- &. Products meet ROHS standards and 3C certification

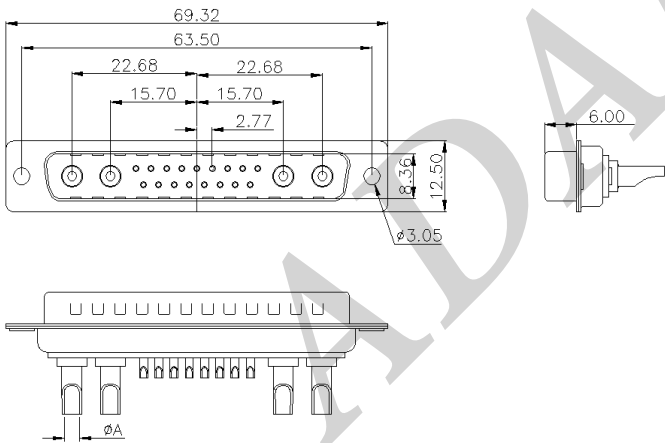
21W4 F



Plug Connector

NO	Current Rating	Dimension
		ΦA
1	40 AMPS	4.80
2	30 AMPS	3.50
3	20 AMPS	2.70
4	10 AMPS	1.80

21W4 M



Plug Connector

NO	Current Rating	Dimension
		ΦA
1	40 AMPS	4.80
2	30 AMPS	3.50
3	20 AMPS	2.70
4	10 AMPS	1.80

① 187 ② 21W4 ③ M ④ 3 ⑤ 03 ⑥ 0 ⑦ 0 ⑧ 0

① Series No

② Terminal pin number:

2V2 2W2 3V3 5W5 7W2 9W4 17W2 17W5

③ Male parent type:

M(male) F(female)

④ Terminal type:

T(Traditional) S(Simple) C(Crimp) M(Machine pin)

⑤ Terminal electroplating:

01(Full gold 1U);02(Full gold 2U);03(Full gold 3U)

05(Full gold 5U);15(Full gold 15U)

⑥ Configuration option:

⑦ Color of rubber core:

0(black);1(wathet);2(blue);3(yellow);4(green)

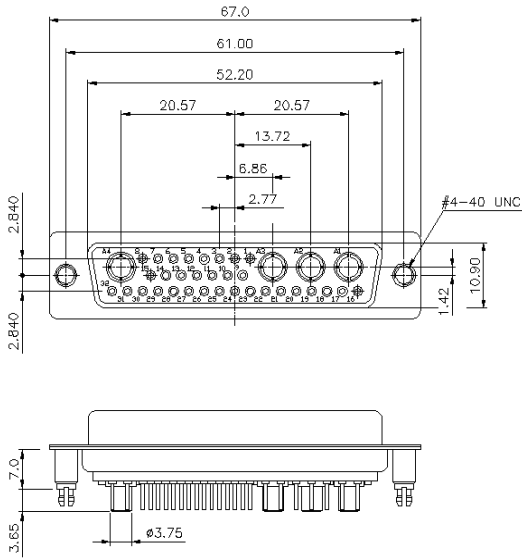
⑧ Other

D-sub High current Connector

- &. Core color can be worked out
- &. Iron plating specifications can be worked out
- &. Riveted Hex nuts options available
- &. Products meet ROHS standards and 3C certification



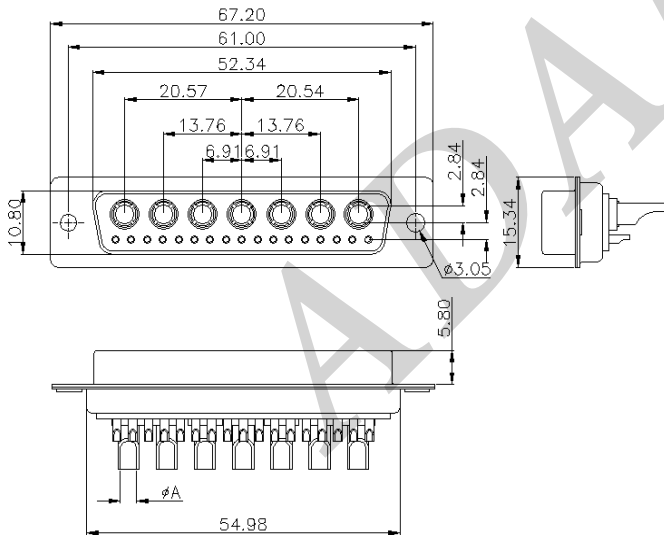
24W7 F



Plug Connector

NO	Current Rating	Dimension
		ΦA
1	40 AMPS	4.80
2	30 AMPS	3.50
3	20 AMPS	2.80
4	10 AMPS	1.70

36W4 F



Plug Connector

NO	Current Rating	Dimension
		ΦA
1	40 AMPS	4.80
2	30 AMPS	3.50
3	20 AMPS	2.80
4	10 AMPS	1.70

① 187 ② 24W7 ③ M ④ 3 ⑤ 03 ⑥ 0 ⑦ 0 ⑧ 0

① Series No

② Terminal pin number:

2V2 2W2 3V3 5W5 7W2 9W4 17W2 17W5

③ Male parent type:

M(male) F(female)

④ Terminal type:

T(Traditional) S(Simple) C(Crimp) M(Machine pin)

⑤ Terminal electroplating:

01(Full gold 1U);02(Full gold 2U);03(Full gold 3U)

05(Full gold 5U);15(Full gold 15U)

⑥ Configuration option:

⑦ Color of rubber core:

0(black);1(wathet);2(blue);3(yellow);4(green)

⑧ Other

Waterproof Combo D-SUB CONNECTORS

1. Application range:

This specification included D-sub product function, testing and quality needs

2. Relevant files

Please regard product picture as the standard when specification is not conform to the drawing, and regard the specification as standard when it isn't conform to relevant files

3. Requirements

3.1 Design&structure

3.1.1 Material&surface dealing

Contacts:Brass C5191 Plating:Nickel, gold plated contacts, tin plated solder cup

Housing:Fireproof PBT High temperature resistance PA9T Halogenless LCP

Nuts:Brass Plating;Nickel

Shell:SPCC Plating:Nickel

3.2 Electric function

3.2.1 Current Rating:30A AC/DC

3.2.2 Current Voltage:300V AC/DC

3.2.3 Contacts resistance: $\leq 2 \text{ m}\Omega$

3.2.4 Insulation resistance: $\geq 5000 \text{ M}\Omega$

3.2.5 Withstand Voltage: 1000V AC

3.3 Other technical specifications

3.3.1 Temperature range: $-55^{\circ}\text{C} \sim +125^{\circ}\text{C}$ (Include temperature increasing caused by operation)

3.3.2 Meeting IP 67 waterproof requirements

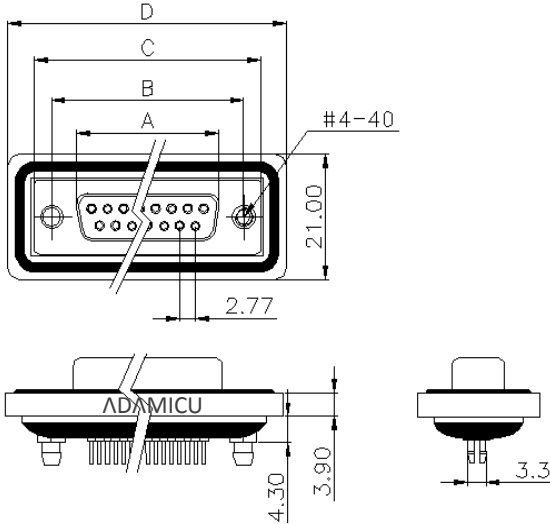
4. Other

4.1 Other D-sub waterproofing linkers can be developed.

D-sub Waterproof Connector

- &. Core color can be worked out
- &. Iron plating specifications can be worked out
- &. Riveted Hex nuts options available
- &. Products meet ROHS standards and 3C certification

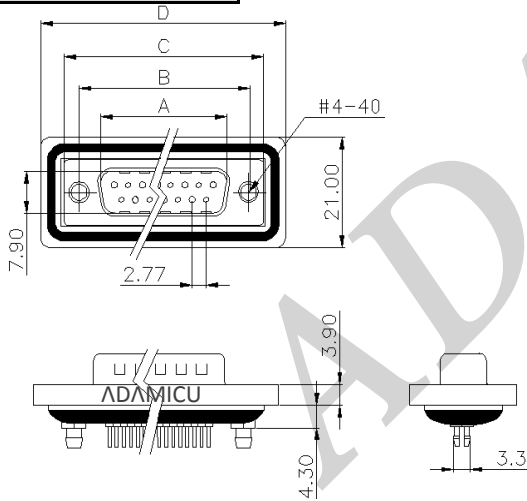
P/N Master size



Plug Connector

POS	A	B	C	D
9	16.33	24.99	30.81	39.60
15	24.66	33.32	39.14	48.00
25	38.38	47.04	53.04	61.60
37	54.84	63.50	69.32	78.00

P/N Seat size



Plug Connector

POS	A	B	C	D
9	16.92	24.99	30.81	39.60
15	25.25	33.32	39.14	48.00
25	38.96	47.04	53.04	61.60
37	55.42	63.50	69.32	78.00

① 190 ② 09 ③ M ④ T ⑤ 01 ⑥ 0 ⑦ 1 ⑧ 0

① Series No

② Terminal pin number:
09, 15, 25, 26, 37, 44, 50, 62, 78

③ Male parent type:
M(male) F(female)

④ Terminal type:
T(Traditional) S(Simple) C(Crimp) M(Machine pin)

⑤ Terminal electroplating:

00(All tin);01(Semi gold);03(Gold-plated 3U);
05(Semi gold 5U);12(Gold-plated 2U);15(15U)

⑥ Configuration option:

⑦ Color of rubber core:
0(black);1(wathet);2(blue);3(yellow);4(Navy Blue)
5(green);6(gules)

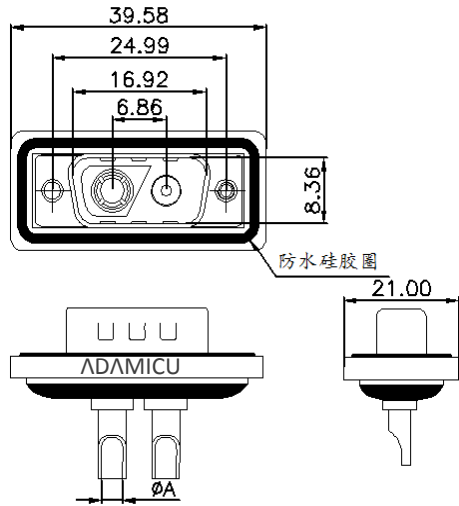
⑧ Other

0(Salt fog for 12 hours);12(Salt fog for 48 hours)

D-sub Waterproof Connector

- &. Core color can be worked out
- &. Iron plating specifications can be worked out
- &. Riveted Hex nuts options available
- &. Products meet ROHS standards and 3C certification

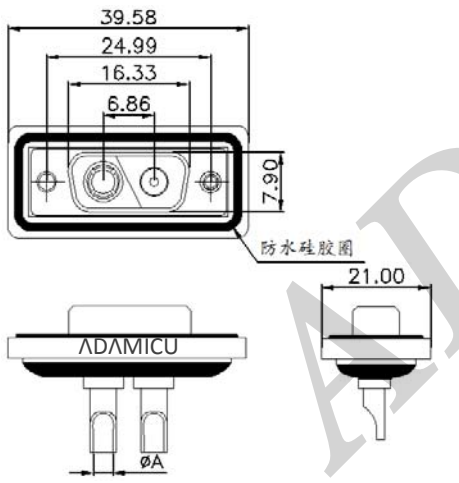
2V2 F



Plug Connector

NO	Current Rating	Dimension	Wire Size
		ΦA	
1	40 AMPS	4.80	AWG8-10
2	20 AMPS	2.80	AWG12-14
3	10 AMPS	1.70	AWG16-20

2V2 M



Plug Connector

NO	Current Rating	Dimension	Wire Size
		ΦA	
1	40 AMPS	4.80	AWG8-10
2	20 AMPS	2.80	AWG12-14
3	10 AMPS	1.70	AWG16-20

① 190 ② 2V2 ③ M ④ T ⑤ 01 ⑥ 0 ⑦ 1 ⑧ 0

① Series No

② Terminal pin number:

2V2 2W2 3V3 5W5 7W2 9W4 17W2 17W5

③ Male parent type:

M(male) F(female)

④ Terminal type:

T(Traditional) S(Simple) C(Crimp) M(Machine pin)

⑤ Terminal electroplating:

01(Full gold 1U);02(Full gold 2U);

03(Full gold 3U)05(Full gold 5U);

15(Full gold 15U)

⑥ Configuration option:

⑦ Color of rubber core:

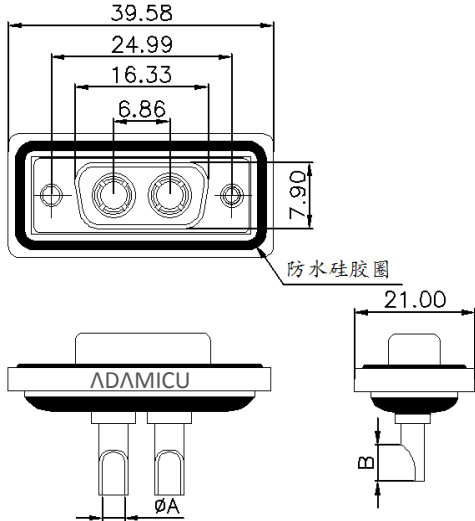
0(black);1(wathet);2(blue);3(yellow);4(green)

⑧ Other

D-sub Waterproof Connector

- &. Core color can be worked out
- &. Iron plating specifications can be worked out
- &. Riveted Hex nuts options available
- &. Products meet ROHS standards and 3C certification

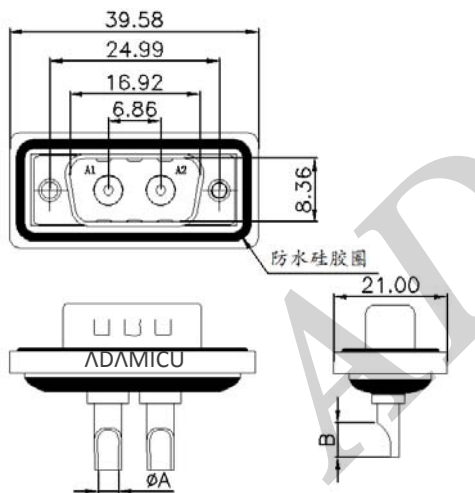
2W2 F



Plug Connector

POS	A	B	WIRE	CURRENT RATING (A)
1	2.50	4.50	14~16#	10
2	3.60	5.00	10~12#	20
3	4.40	5.50	8~10#	30
4	5.50	5.50	6~8#	40

2W2 M



Plug Connector

POS	A	B	WIRE	CURRENT RATING (A)
1	2.50	4.50	14~16#	10
2	3.60	5.00	10~12#	20
3	4.40	5.50	8~10#	30
4	5.50	5.50	6~8#	40

① ② ③ ④ ⑤ ⑥ ⑦ ⑧
190 2V2 M T 01 0 1 0

① Series No

② Terminal pin number:

2V2 2W2 3V3 5W5 7W2 9W4 17W2 17W5

③ Male parent type:

M(male) F(female)

④ Terminal type:

T(Traditional) S(Simple) C(Crimp) M(Machine pin)

⑤ Terminal electroplating:

01(Full gold 1U);02(Full gold 2U);

03(Full gold 3U)05(Full gold 5U);

15(Full gold 15U)

⑥ Configuration option:

⑦ Color of rubber core:

0(black);1(wathet);2(blue);3(yellow);4(green)

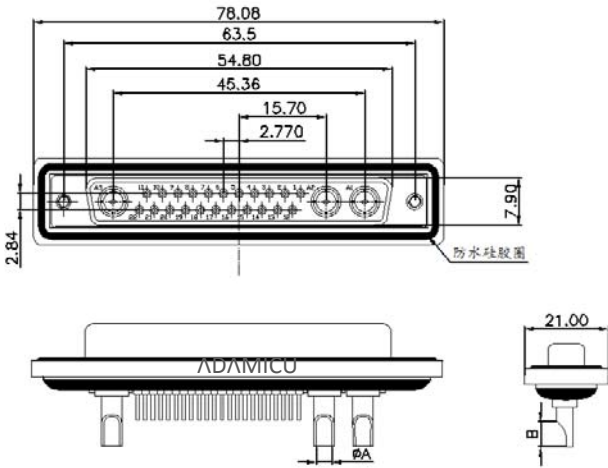
⑧ Other

D-sub Waterproof Connector

- &. Core color can be worked out
- &. Iron plating specifications can be worked out
- &. Riveted Hex nuts options available
- &. Products meet ROHS standards and 3C certification



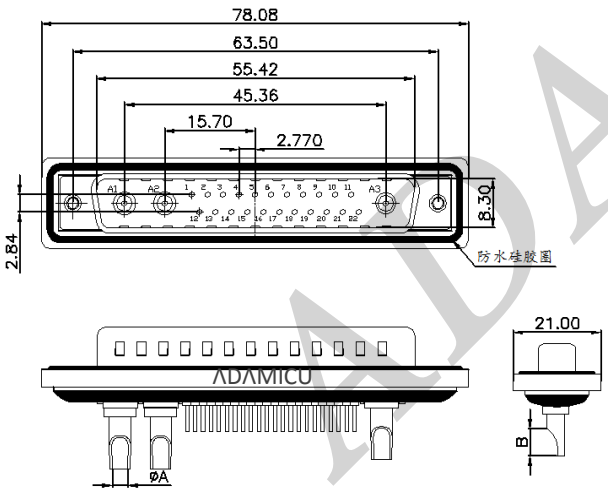
25W3 F



Plug Connector

NO	Current Rating	Dimension	
		ΦA	ΦB
1	40 AMPS	4.80	4.50
2	30 AMPS	3.50	5.00
3	20 AMPS	2.80	5.50
4	10 AMPS	1.70	5.50

25W3 M



Plug Connector

NO	Current Rating	Dimension	
		ΦA	ΦB
1	40 AMPS	4.80	4.50
2	30 AMPS	3.50	5.00
3	20 AMPS	2.80	5.50
4	10 AMPS	1.70	5.50

① ② ③ ④ ⑤ ⑥ ⑦ ⑧
190 25W3 M T 01 0 1 0

① Series No

② Terminal pin number:

2V2 2W2 3V3 5W5 7W2 9W4 17W2 17W5

③ Male parent type:

M(male) F(female)

④ Terminal type:

T(Traditional) S(Simple) C(Crimp) M(Machine pin)

⑤ Terminal electroplating:

01(Full gold 1U);02(Full gold 2U);

03(Full gold 3U)05(Full gold 5U);

15(Full gold 15U)

⑥ Configuration option:

⑦ Color of rubber core:

0(black);1(wathet);2(blue);3(yellow);4(green)

⑧ Other

D-SUB metal assembly housing

1. Application range:

This specification included D-sub product function, testing and quality needs

2. Relevant files

Please regard product picture as the standard when specification is not conform to the drawing, and regard the specification as standard when it isn't conform to relevant files

3. D-SUB metal assembly shell details:

3.0 scope of application: computer, cable, power, PCB, FDAF, communication and others.

3.1 purpose: used for hardware electronic component connector plug-in.

3.2 Product Specification: Zinc Alloy Model: D-SUB Manufacturing Process: Die Casting Working Frequency: High Frequency (up to 200 degrees heat resistance)

3.3 Product characteristics: environmental protection, not easy to embroider, not easy to deform stable performance; according to customer requirements, mold opening, price concessions, manufacturer manufacturing, manufacturer direct sales.

3.4 Production process: 1. Mould, 2. Production process (die casting), 3. Surface treatment (pike), 4. Manual and polishing_Machine processing (drilling and tapping teeth), _Electroplating QC_finished product delivery

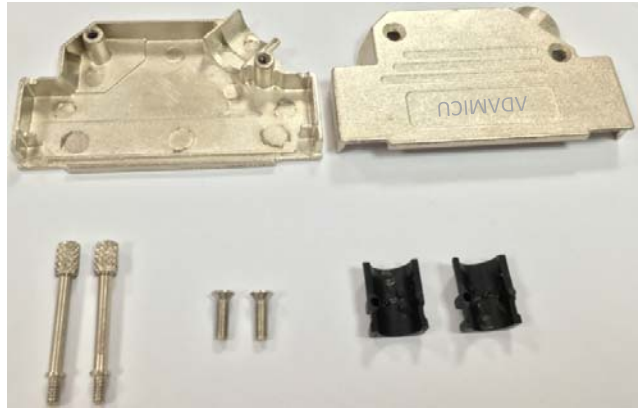
3.5 electroplating color: real gold, gun black (Hei Nie), pearl chrome, bright nickel, pearl nickel.

3.6 packing instructions: plastic bags are divided into inner package and carton packing.

D-sub Backshell

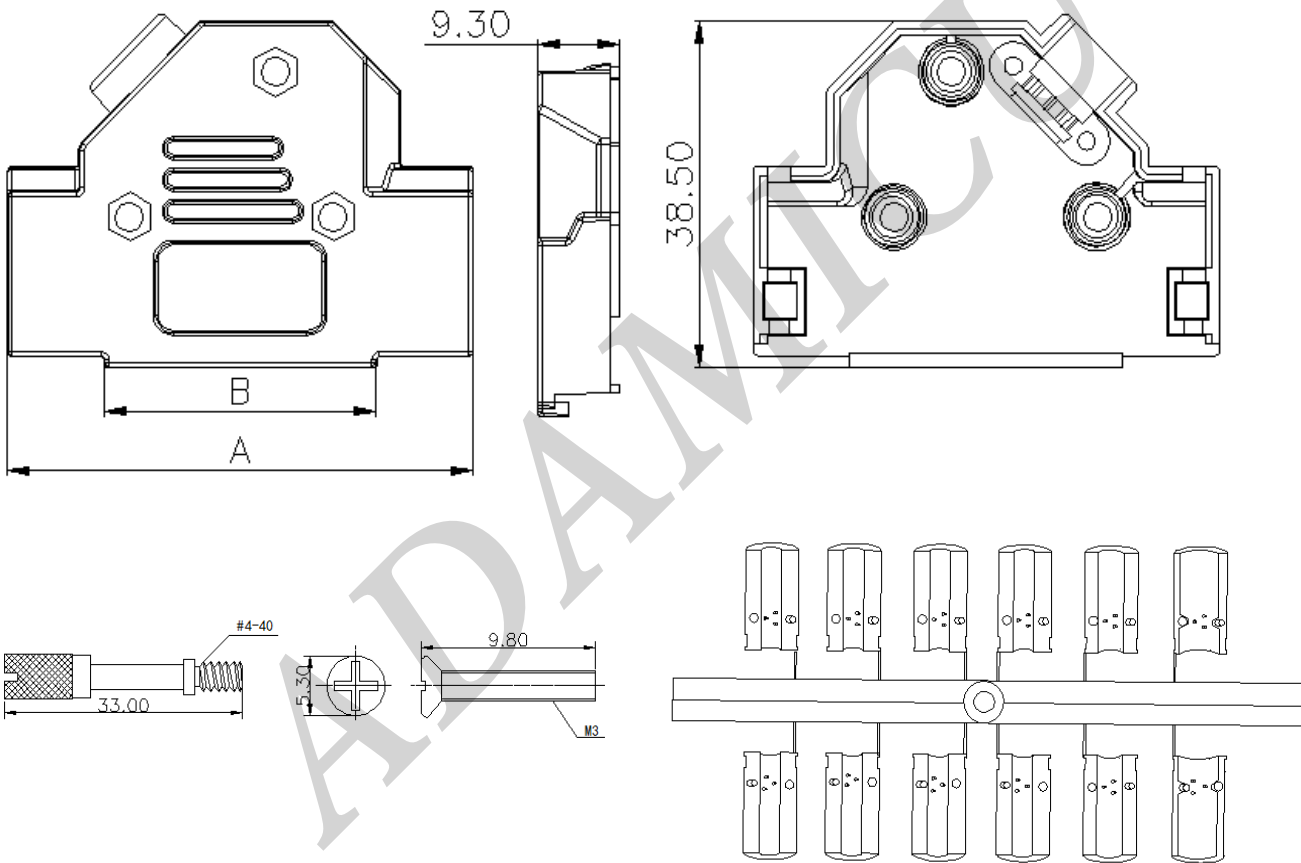
45 Degree Assembly Housing

&. Iron plating specifications can be worked out
&. Products meet ROHS standards and 3C certification



Plug Connector

POS	A	B
9	30.40	14.10
15	39.50	24.80
25	53.00	31.00
37	70.40	48.00



- ① MJ
- ② 37
- ③ P/S
- ④ 8
- ⑤ 01
- ⑥ 7
- ⑦ 7
- ⑧ Z

- ① Series No
- ② Terminal pin number:
09(9P);15(15P);25(25P);37(37P);50(50P)
- ③ Male parent type:
P/S(male) (female)
- ④ Terminal type:
- ⑤ Thickness of material:
01(Line hole 6);02(Line hole 8);03(Line hole 9)
04(Line hole 10);05(Line hole 12)
- ⑥ Enclosure accessories:
5(Short screw);6(Not attached to a screw)
7(Attached length screw)
- ⑦ Shell plating:
5(Chromium plating);6(Three yuan tin);7(Pearl nickel)
- ⑧ Texture of material
Z(Kirsite)

D-sub Backshell

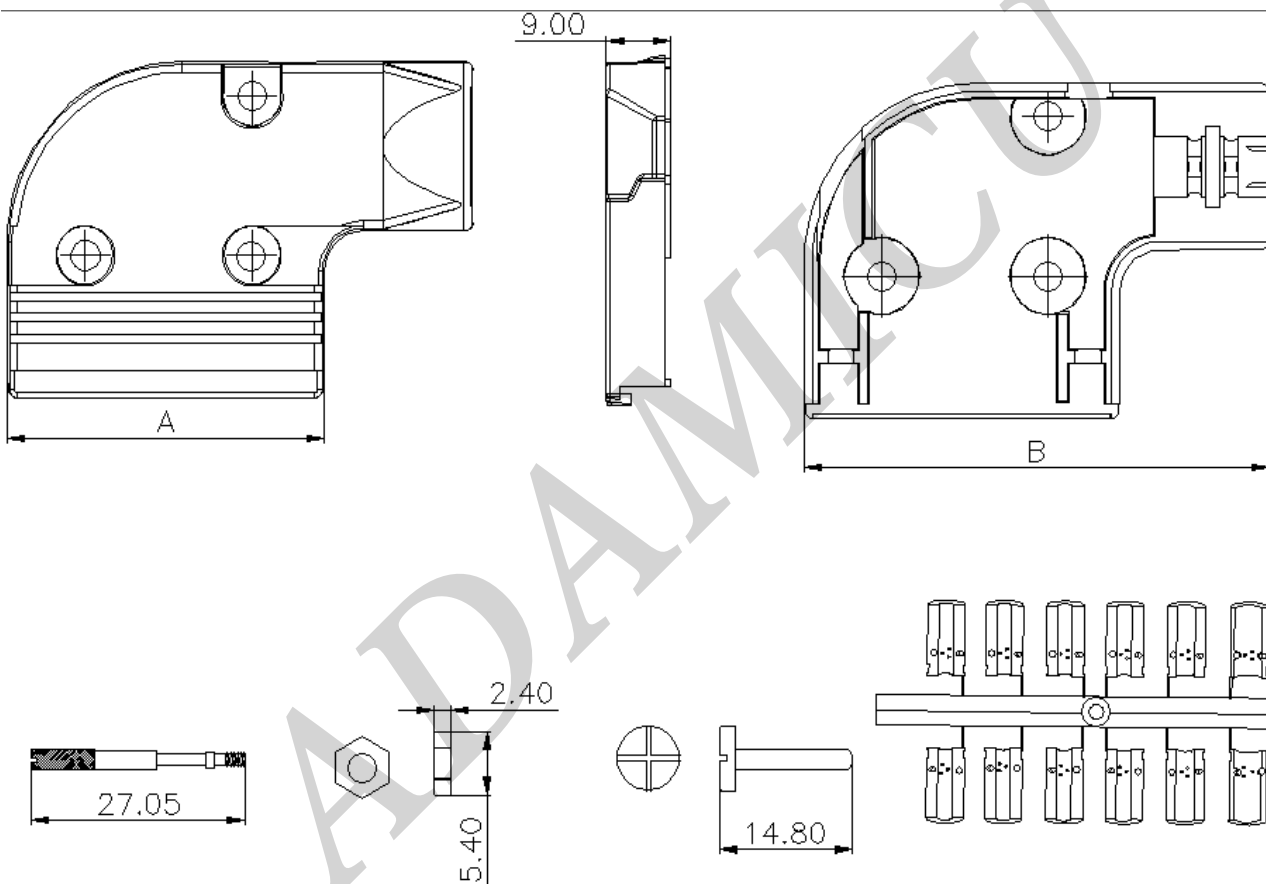
90 Degree Assembly Housing

&. Iron plating specifications can be worked out
 &. Products meet ROHS standards and 3C certification



Plug Connector

POS	A	B
9	32.00	46.86
15	40.00	54.50
25	54.00	72.40
37	70.40	85.45



- ① MJ
- ② 37
- ③ P/S
- ④ 8
- ⑤ 01
- ⑥ 7
- ⑦ 7
- ⑧ Z

- ① Series No
- ② Terminal pin number:
09(9P);15(15P);25(25P);37(37P);50(50P)
- ③ Male parent type:
P/S(male) (female)
- ④ Terminal type:
- ⑤ Thickness of material:
01(Line hole 6);02(Line hole 8);03(Line hole 9)
04(Line hole 10);05(Line hole 12)
- ⑥ Enclosure accessories:
5(Short screw);6(Not attached to a screw)
7(Attached length screw)
- ⑦ Shell plating:
5(Chromium plating);6(Three yuan tin);7(Pearl nickel)
- ⑧ Texture of material
Z(Kirsite)

D-sub Backshell

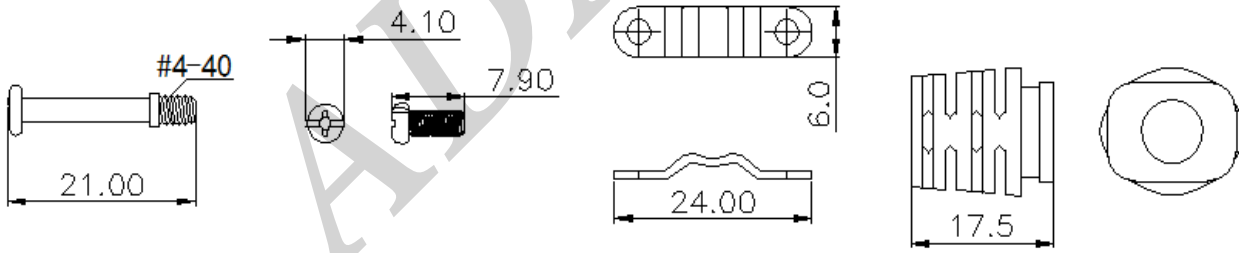
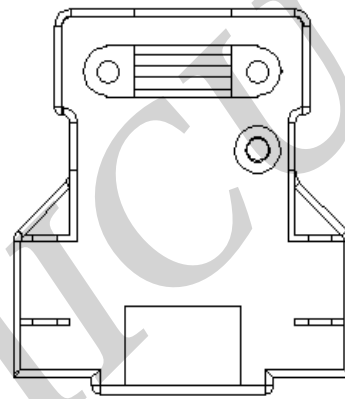
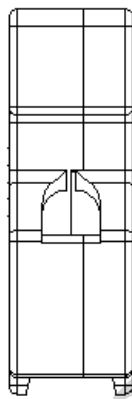
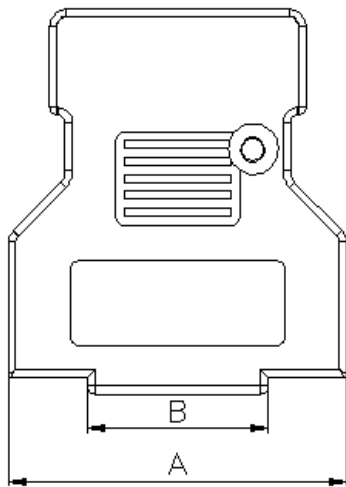
180 Degree Assembly Housing

&. Iron plating specifications can be worked out
 &. Products meet ROHS standards and 3C certification



Plug Connector

POS	A	B
9	41.32	22.10
25	54.80	35.25



- ① MJ
- ② 37
- ③ P/S
- ④ 8
- ⑤ 01
- ⑥ 7
- ⑦ 7
- ⑧ Z

① Series No

② Terminal pin number:
 09(9P);15(15P);25(25P);37(37P);50(50P)

③ Male parent type:
 P/S(male) (female)

④ Terminal type:

⑤ Thickness of material:

01(Line hole 6);02(Line hole 8);03(Line hole 9)
 04(Line hole 10);05(Line hole 12)

⑥ Enclosure accessories:

5(Short screw);6(Not attached to a screw)
 7(Attached length screw)

⑦ Shell plating:

5(Chromium plating);6(Three yuan tin);7(Pearl nickel)

⑧ Texture of material

Z(Kirsite)

D-sub Backshell

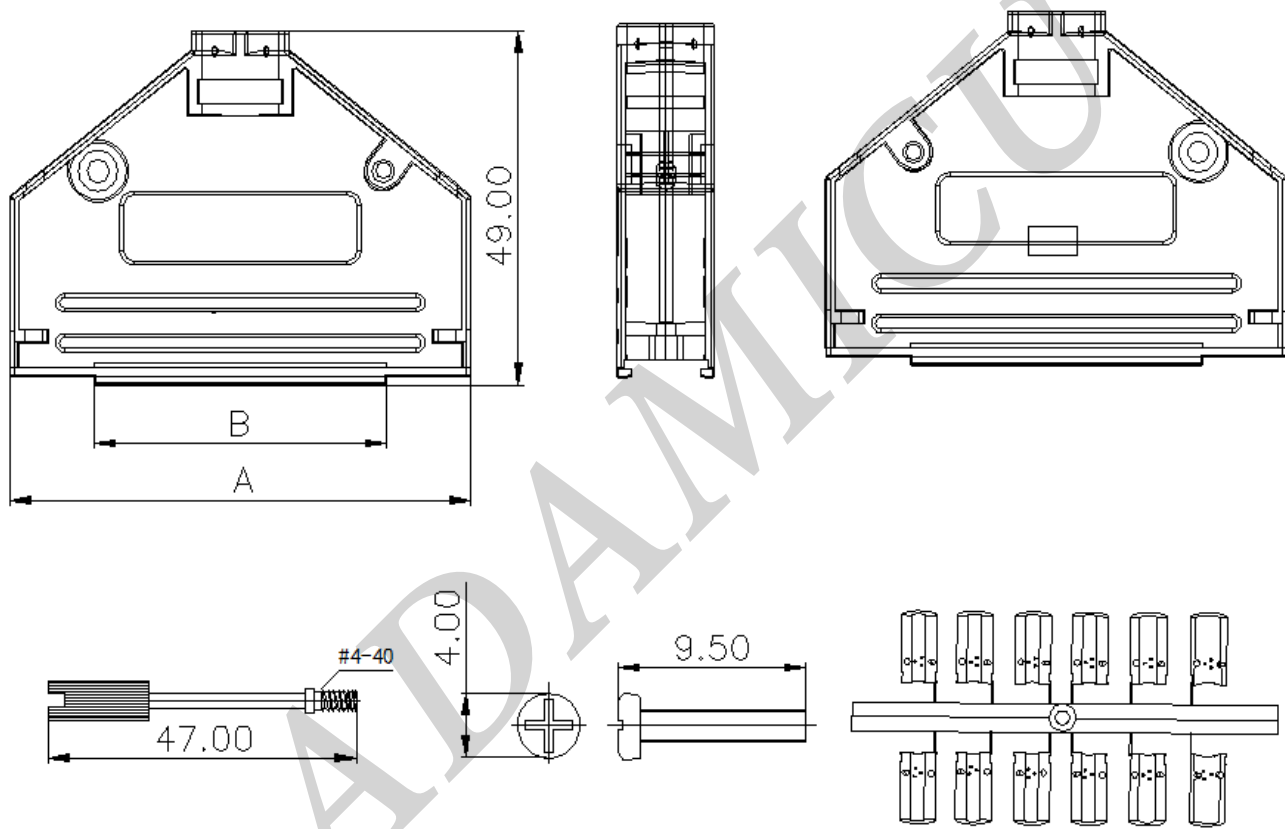
HD Assembly Housing

&. Iron plating specifications can be worked out
 &. Products meet ROHS standards and 3C certification



Plug Connector

POS	A	B
9	30.40	13.40
15	39.60	21.26
25	53.30	26.00
37	71.10	44.85



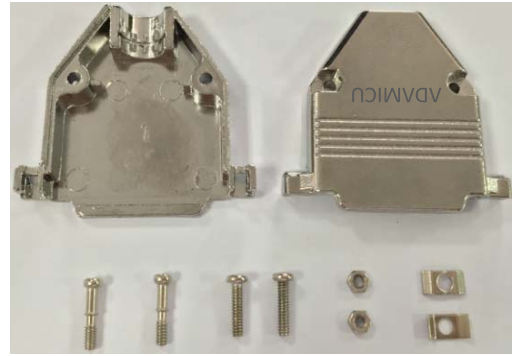
- ① MJ
- ② 37
- ③ P/S
- ④ 8
- ⑤ 01
- ⑥ 7
- ⑦ 7
- ⑧ Z

- ① Series No
- ② Terminal pin number:
09(9P);15(15P);25(25P);37(37P);50(50P)
- ③ Male parent type:
P/S(male) (female)
- ④ Terminal type:
- ⑤ Thickness of material:
01(Line hole 6);02(Line hole 8);03(Line hole 9)
04(Line hole 10);05(Line hole 12)
- ⑥ Enclosure accessories:
5(Short screw);6(Not attached to a screw)
7(Attached length screw)
- ⑦ Shell plating:
5(Chromium plating);6(Three yuan tin);7(Pearl nickel)
- ⑧ Texture of material
Z(Kirsite)

D-sub Backshell

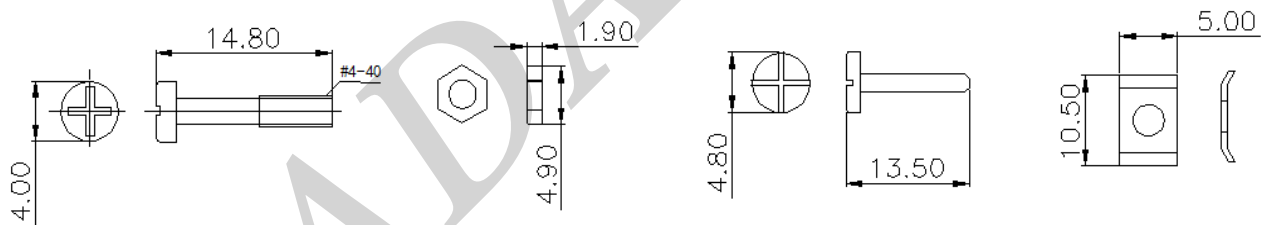
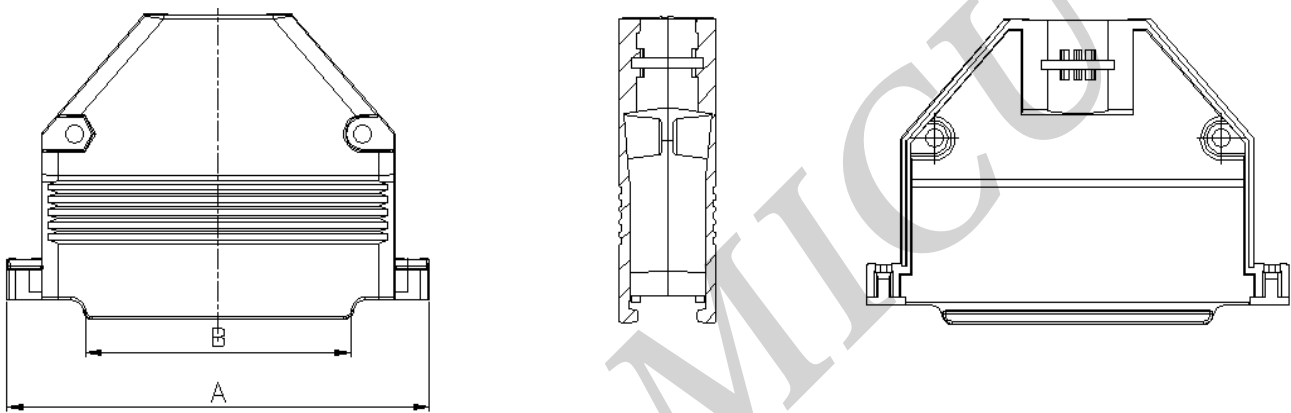
Assembly Housing

&. Iron plating specifications can be worked out
 &. Products meet ROHS standards and 3C certification



Plug Connector

POS	A	B
9	31.50	8.15
15	41.00	15.15
25	54.05	28.90
37	68.70	44.15



- ① MJ
- ② 37
- ③ P/S
- ④ 8
- ⑤ 01
- ⑥ 7
- ⑦ 7
- ⑧ Z

- ① Series No
- ② Terminal pin number:
09(9P);15(15P);25(25P);37(37P);50(50P)
- ③ Male parent type:
P/S(male) (female)
- ④ Terminal type:
- ⑤ Thickness of material:
01(Line hole 6);02(Line hole 8);03(Line hole 9)
04(Line hole 10);05(Line hole 12)
- ⑥ Enclosure accessories:
5(Short screw);6(Not attached to a screw)
7(Attached length screw)
- ⑦ Shell plating:
5(Chromium plating);6(Three yuan tin);7(Pearl nickel)
- ⑧ Texture of material
Z(Kirsite)

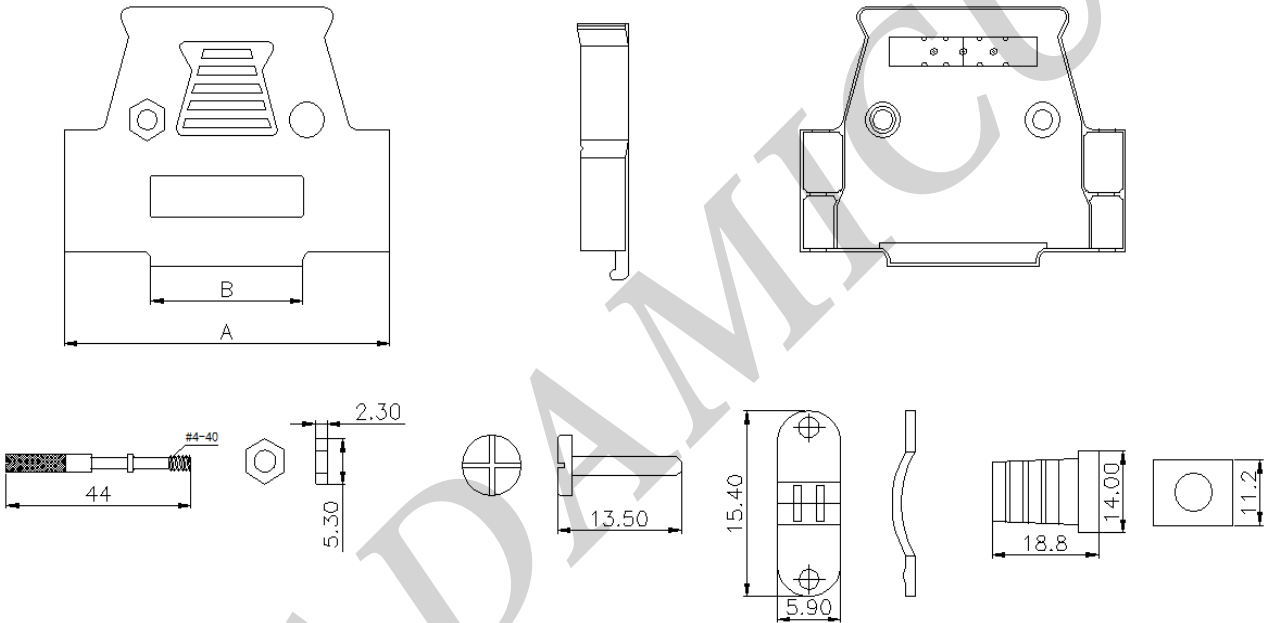
D-sub Backshell

AMP Assembly Housing

- &. Iron plating specifications can be worked out
- &. Products meet ROHS standards and 3C certification

Plug Connector

POS	A	B
9	31.50	8.15
15	41.00	15.15



- | | | | | | | | |
|----|----|-----|---|----|---|---|---|
| ① | ② | ③ | ④ | ⑤ | ⑥ | ⑦ | ⑧ |
| MJ | 37 | P/S | 8 | 01 | 7 | 7 | Z |

- ① Series No
- ② Terminal pin number:
09(9P);15(15P);25(25P);37(37P);50(50P)
- ③ Male parent type:
P/S(male) (female)
- ④ Terminal type:
- ⑤ Thickness of material:
01(Line hole 6);02(Line hole 8);03(Line hole 9)
04(Line hole 10);05(Line hole 12)
- ⑥ Enclosure accessories:
5(Short screw);6(Not attached to a screw)
7(Attached length screw)
- ⑦ Shell plating:
5(Chromium plating);6(Three yuan tin);7(Pearl nickel)
- ⑧ Texture of material
Z(Kirsite)

D-sub Backshell

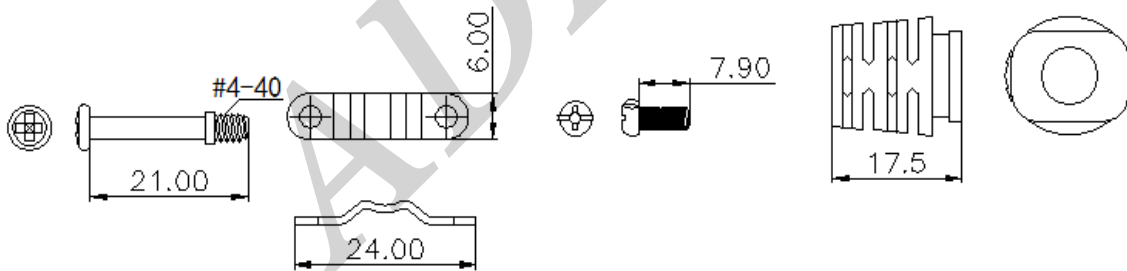
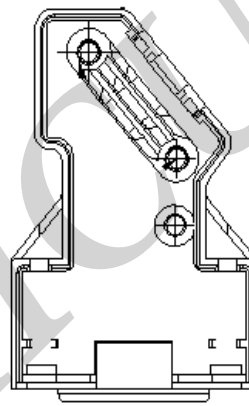
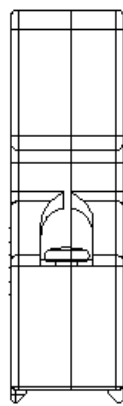
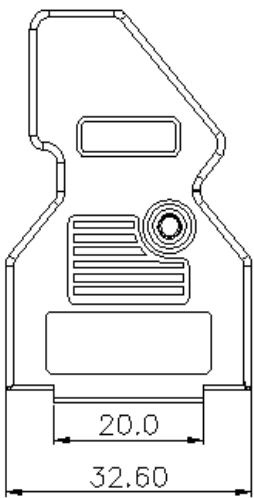
9P Assembly Housing

- &. Iron plating specifications can be worked out
- &. Products meet ROHS standards and 3C certification



Plug Connector

POS	A	B
9	30.40	14.10
15	39.50	24.80
25	53.00	31.00
37	70.40	48.00



- ① MJ
- ② 37
- ③ P/S
- ④ 8
- ⑤ 01
- ⑥ 7
- ⑦ 7
- ⑧ Z

① Series No

② Terminal pin number:
09 (9P) ; 15 (15P) ; 25 (25P) ; 37 (37P) ; 50 (50P)

③ Male parent type:
P/S(male) (female)

④ Terminal type:

⑤ Thickness of material:

01(Line hole 6);02(Line hole 8);03(Line hole 9)
04(Line hole 10);05(Line hole 12)

⑥ Enclosure accessories:

5(Short screw);6(Not attached to a screw)
7(Attached length screw)

⑦ Shell plating:

5(Chromium plating);6(Three yuan tin);7(Pearl nickel)

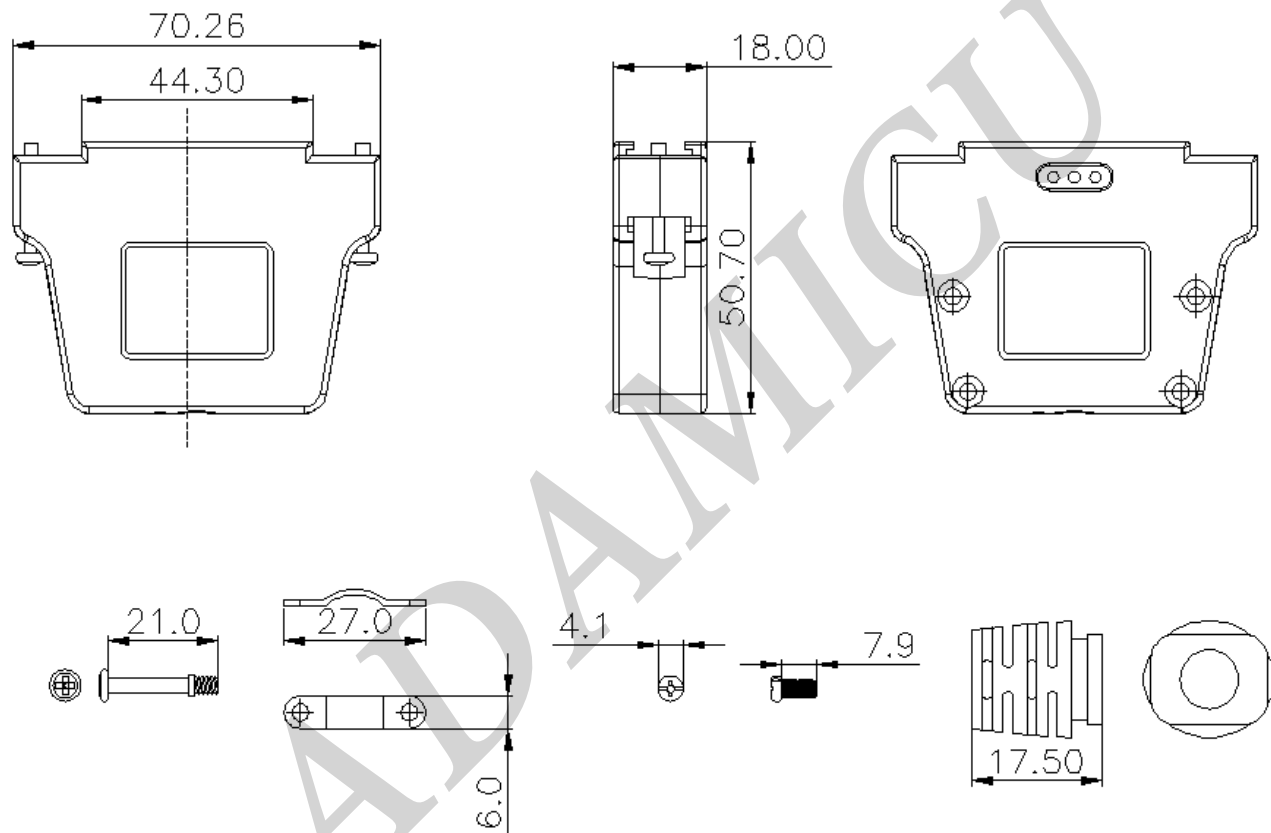
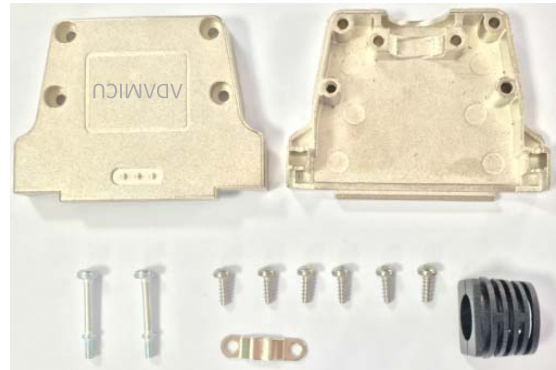
⑧ Texture of material

Z(Kirsite)

D-sub Backshell

37P Assembly Housing

&. Iron plating specifications can be worked out
 &. Products meet ROHS standards and 3C certification



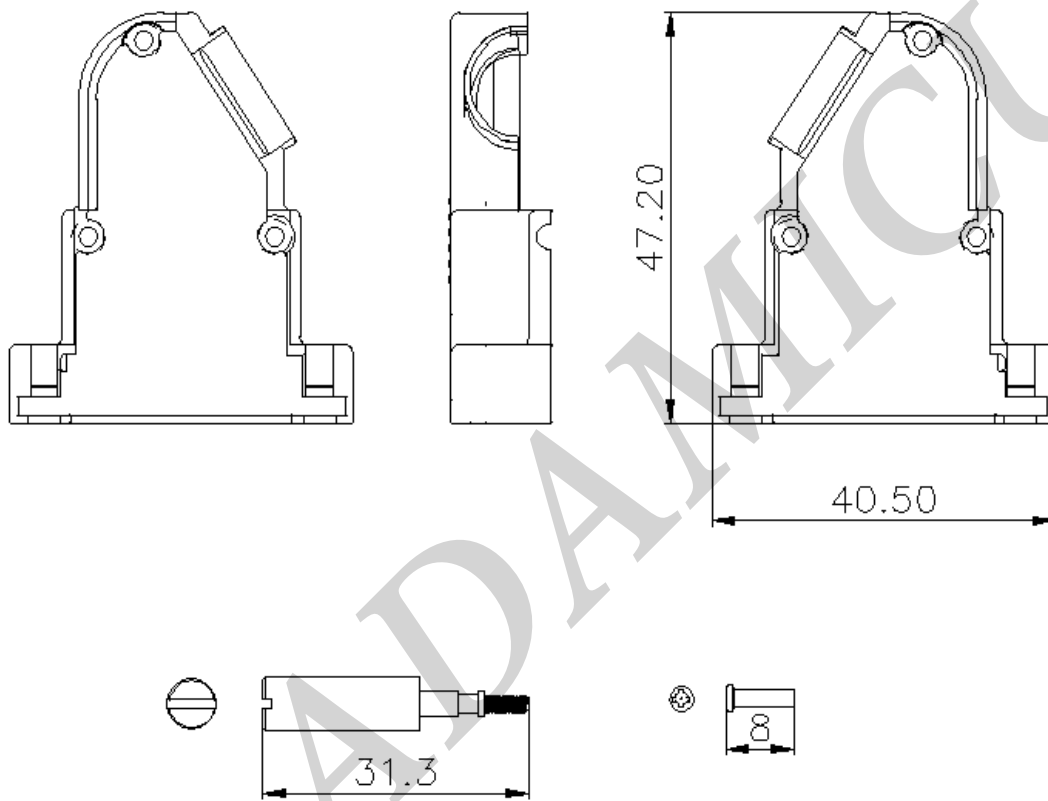
①	②	③	④	⑤	⑥	⑦	⑧
MJ	37	P/S	8	01	7	7	Z

- ① Series No
- ② Terminal pin number:
09(9P);15(15P);25(25P);37(37P);50(50P)
- ③ Male parent type:
P/S(male) (female)
- ④ Terminal type:
- ⑤ Thickness of material:
01(Line hole 6);02(Line hole 8);03(Line hole 9)
04(Line hole 10);05(Line hole 12)
- ⑥ Enclosure accessories:
5(Short screw);6(Not attached to a screw)
7(Attached length screw)
- ⑦ Shell plating:
5(Chromium plating);6(Three yuan tin);7(Pearl nickel)
- ⑧ Texture of material
Z(Kirsite)

D-sub Backshell

45 Degree Assembly Housing

- &. Iron plating specifications can be worked out
- &. Products meet ROHS standards and 3C certification



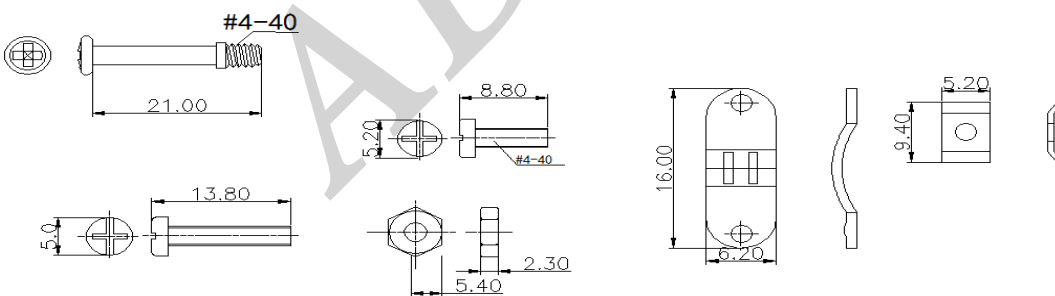
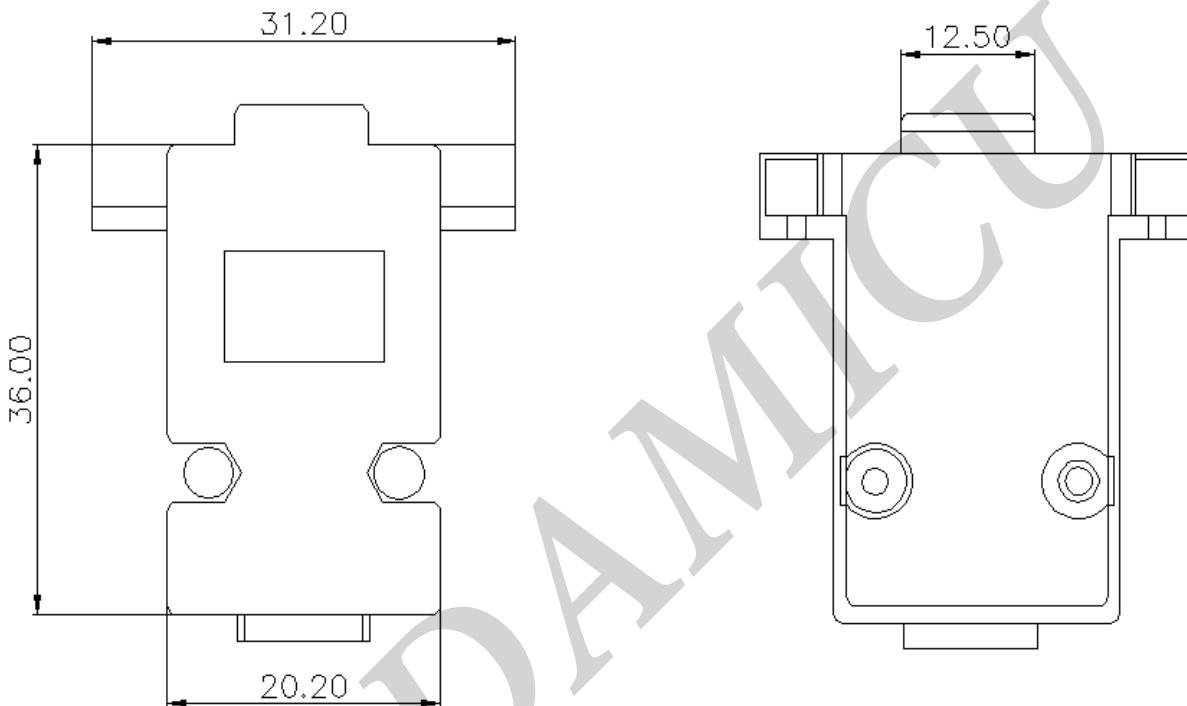
	①	②	③	④	⑤	⑥	⑦	⑧
	MJ	37	P/S	8	01	7	7	Z
① Series No					⑤ Thickness of material:			
② Terminal pin number:					01(Line hole 6);02(Line hole 8);03(Line hole 9)			
					04(Line hole 10);05(Line hole 12)			
③ Male parent type:					⑥ Enclosure accessories:			
P/S(male) (female)					5(Short screw);6(Not attached to a screw)			
④ Terminal type:					7(Attached length screw)			
					⑦ Shell plating:			
					5(Chromium plating);6(Three yuan tin);7(Pearl nickel)			
					⑧ Texture of material			
					Z(Kirsite)			

D-sub Backshell

9P Plastic shell

&.The shell can make colors.

&. Products meet ROHS standards and 3C certification



- ① PH
- ② 37
- ③ P/S
- ④ 8
- ⑤ 01
- ⑥ 7
- ⑦ 0
- ⑧ A

- ① Series No
- ② Terminal pin number:
09(9P) ;15(15P) ;25(25P) ;37(37P) ;50(50P)
- ③ Male parent type:
P/S(male) (female)
- ④ Terminal type:
- ⑤ Thickness of material:
01(Line hole 6) ;02(Line hole 8) ;03(Line hole 9)
04(Line hole 10) ;05(Line hole 12)
- ⑥ Enclosure accessories:
5(Short screw) ;6(Not attached to a screw)
- ⑦ Attached length screw
- ⑦ Colour:
0(Black) ;1(White) ;2(Blue) ;3(Gray)
- ⑧ Texture of material
A(ABS)

D-sub Backshell

9P Plastic shell

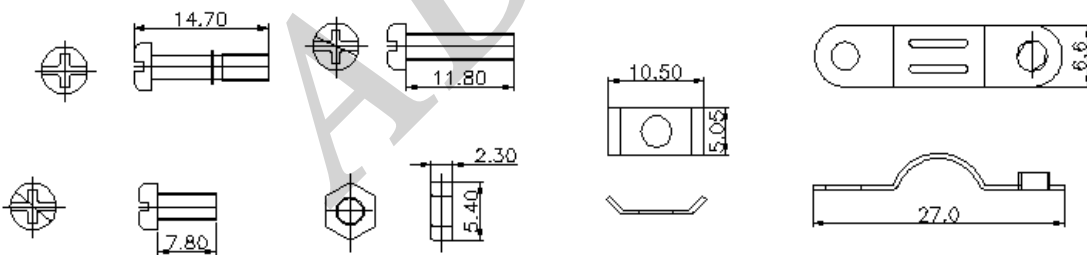
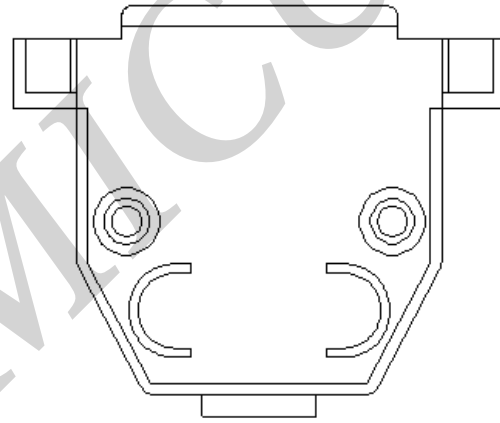
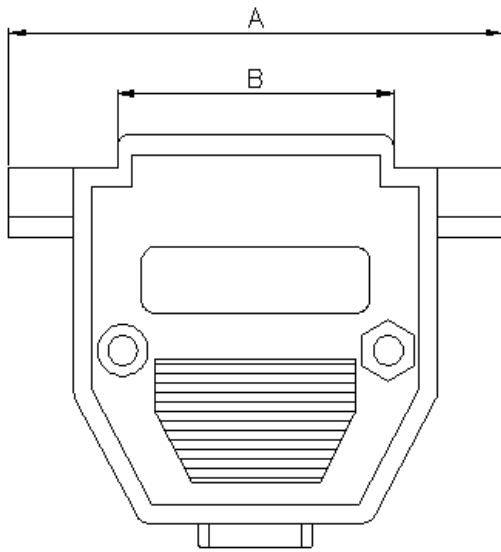
&.The shell can make colors.

&. Products meet ROHS standards and 3C certification



Plug Connector

POS	A	B
15	39.00	21.50
25	54.00	29.50
37	69.60	31.00



- ① PH
- ② 37
- ③ P/S
- ④ 8
- ⑤ 01
- ⑥ 7
- ⑦ 0
- ⑧ A

① Series No

② Terminal pin number:
09(9P);15(15P);25(25P);37(37P);50(50P)

③ Male parent type:
P/S(male) (female)

④ Terminal type:

⑤ Thickness of material:

01(Line hole 6);02(Line hole 8);03(Line hole 9)
04(Line hole 10);05(Line hole 12)

⑥ Enclosure accessories:

5(Short screw);6(Not attached to a screw)
7(Attached length screw)

⑦ Colour:

0(Black);1(White);2(Blue);3(Gray)

⑧ Texture of material
A(ABS)